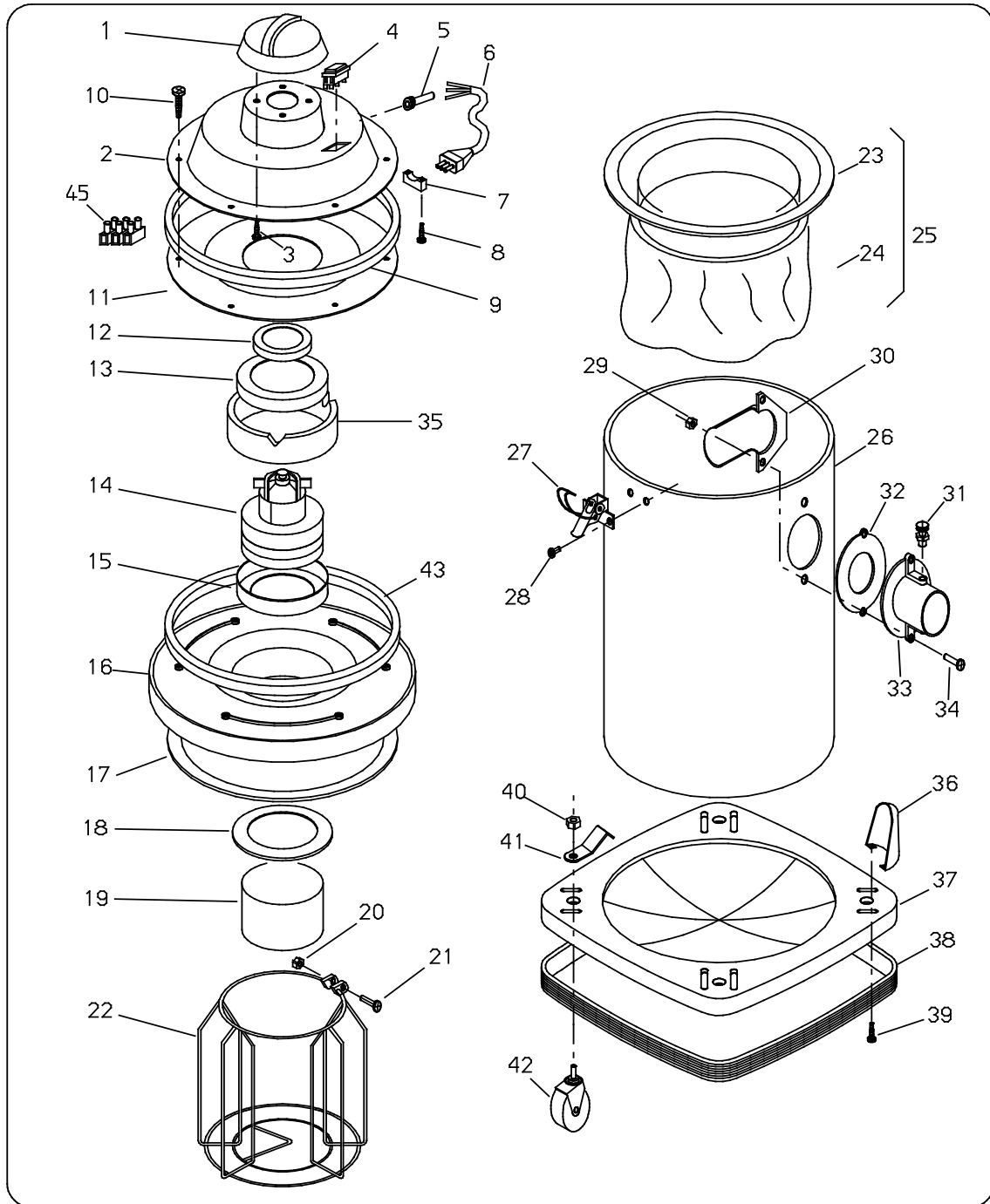


F20F1

ASPIRAPOLVERE/ASPIRALIQUIDI FIBEL 200 - WET&DRY VACUUM
 CLEANER FIBEL 200 - ASPIRATEUR EAU/POUSSIERE FIBEL 200-
 STAUB WASSER SAUGER FIBEL 200



N.Posit	Code	Qta	Descrizione	Description	Description	Bezeichnung
F20.A.01	CZ001*	1	COPERCHIO	COVER	COUVERCLE	DECKEL
F20.A.02	CU001*	1	CALOTTA COPRI MOTORE	MOTOR CAP	CALOTTE	MOTORKAPPE
F20.A.03	VA322	4	VITE FIL.RAP.5x13 TC S/PUNTA	SCREW	VIS	SCHRAUBE
F20.A.04	IN010	1	INTERRUTTORE	ON/OFF SWITCH	INTERRUPTEUR	SCHALTER
F20.A.05	PY309	1	PASSACAVO IN GOMMA NERA	BLACK RUBBER FAIRLEAD	PASSECABLE NOIR	KABELDURCHGANG
F20.A.06	PY999*	1	CAVO ELETTRICO	ELECTRIC CABLE	CABLE ELECTRIQUE	ELEKTR. KABEL
F20.A.07	PY308	1	FERMACAVO IN PLASTICA PICCOLO	CABLE HOLDER	ARRETE-CABLE	KABELSPERRE
F20.A.08	VA261	2	VITE AUTOFIL.TC CROCE 3,5x19	SCREW	VIS	SCHRAUBE
F20.A.09	FO011	1	MAT. POLIESTIC	POLYESTIC MAT.	MAT. POLYESTIC	POL. KUNSTSTOFF
F20.A.10	VA323	6	VITE FIL.RAP.5x16 TC S/PUNTA	SCREW	VIS	SCHRAUBE
F20.A.11	DF002	1	BRIGLIA FERMA MOTORE	BRIDLE	CRAMPON	SPERRE
F20.A.12	GO014	1	CONVOGLIATORE	CONVEYOR	CONVOYEUR	FOERDERER
F20.A.13	GR072	1	GUARNIZIONE A L 145x3.5	GASKET	JOINT	DITHTUNG
F20.A.14	MO999*	1	MOTORE ASPIRAZIONE	SUCTION MOTOR	MOTEUR ASPIRATION	ANSAUGMOTOR
F20.A.15	GR102	1	GUARNIZIONE A L 145x3.5 MORBIDA	BASKET	JOINT	DITHTUNG
F20.A.16	CB001*	1	CALOTTA BASE D.285	CAP BASE D.285	CALOTTE	KAPPE
F20.A.17	GO001	1	GUARNIZIONE CALOTTA BASE D.285	DOME GASKET	GARNITURE	KAPPEDICHTUNG
F20.A.18	GO009	1	GUARNIZIONE GALLEGGIANTE	GASKET-SHUT OF CAM	GARNITURE	SCHWIMMERDICHTUNG
F20.A.19	GE003	1	GALLEGGIANTE	CAN-SHUT OFF	FLOTTEUR	SCHWIMMER
F20.A.20	DD203	1	DADO M5 UNI 5588/65	NUT	ECROU	MUTTER
F20.A.21	VC219	1	VITE CILIN.CROCE M5x35	SCREW	VIS	SCHRAUBE
F20.A.22	CL003	1	CESTELLO h=225	CAGE-SHUT OFF h=225	PANIER	KASTEN
F20.A.23	AN001	1	ANELLO FILTRO D.285	FILTER RING D.285	BAGUE FILTRE	FILTERRING
F20.A.24	SF003	1	SACCO FILTRO h=270	FILTER BAG	SAC FILTRE	FILTERBEUTEL
F20.A.25	KF007	1	ASSEMBLAGGIO FILTRO D.285x270	FILTER ASSY	ASSEMBL. FILTRE	FILTERZUSAMMENBAU
F20.A.26	CN003	1	FUSTO INOX D.285x400	INOX SHAFT D.285x400	CUVE INOX	SCHAFT
F20.A.27	CC004	2	GANCIO ZINGATO	GALVANIZED HOOK	CROCHET ZINGUE	VERZINKTER HAKEN
F20.A.28	RV001	4	RIVETTO 4,8x7 TESTA OVALE	RIVET	RIVET	NIET
F20.A.29	DD204	2	DADO M6 UNI 5588/65	NUT	ECROU	MUTTER
F20.A.30	DL001	1	DEFLETTORE IN PVC D.40	DEFLECTOR-INTAKE	DEFLECTEUR	LAPPE
F20.A.31	SE001	1	SALTERELLO	DISCONNECT PIN ASSEMB	SAUTEUR	FALLKLINKE
F20.A.32	GO004	1	GUARNIZIONE BOCCHETTONE D.40	GASKET-TANK INTAKE	GARNITURE	STUTZENDICHTUNG
F20.A.33	BC002	1	BOCCHETTONE D.40	ADAPTOR-TANK INTAKE	GOULOTTE	STUTZEN
F20.A.34	VC223	2	VITE CILIN.CROCE M6x20	SCREW	VIS	SCHRAUBE
F20.A.35	FO012	1	MAT. POLIESTIC	POLYESTIC MAT.	MAT. POLYESTIC	POL. KUNSTSTOFF
F20.A.36	TO005	4	COPERCHIO ANGOLARE	COVER	COUVERCLE	DECKEL
F20.A.37	BR003	1	FUSIONE BASE D.285 ALLUMINIO	BASE CASTING D.285	FUSION BASE	TERLEGUNGSVERBIND.
F20.A.38	BU001	1	BUMPER C.1070	BUMPER C.1070	GARDE-BOUE	PUFFER C.1070
F20.A.39	VA225	8	VITE AUTOFILETT.4.8x16	SCREW	VIS	SCHRAUBE
F20.A.40	DD255	4	DADO AUTOBLOCCANTE M10	SELF-LOCKING NUT	ECROU DE SURETE	MUTTER
F20.A.41	PI001	4	PIASTRINA FERMA FUSTO	SHAFT STOP PLATE	PLAQUE	PLATTE
F20.A.42	RT020	4	RUOTA PIVOTTANTE	WHEEL	ROUE	RAD
F20.A.43	FO011	1	MAT. POLIESTIC	POLYESTIC MAT.	MAT. POLYESTIC	POL.KUNSTSTOFF
F20.A.45	PY182	1	MORSETTIERA MAMMUT A 3 POLI PA44	TERMINAL BOARD	BORNIER	KLEMMENBRETT

Ing. O. FIORENTINI s.r.l.

Sede e Stabilimenti: **50030 PIANCALDOLI** - Loc. ROMBOLA (Firenze) Tel.055/8173610 - Fax 055/817144
50030 PIETRAMALA - Via del Molino (Firenze) Tel. 055/813447

Filiale: **00155 ROMA** - Via Carlo Carrà, 13
Tel.06/22754040/60 - Fax 06/22754065

Filiale: **20132 MILANO** - Via Palmanova, 211/A
Tel.02/27207783 - 2564810 - Fax 02/2592779

E-mail: inform@ingfiorentini.it - sales@ingfiorentini.it - www.ingfiorentini.it