

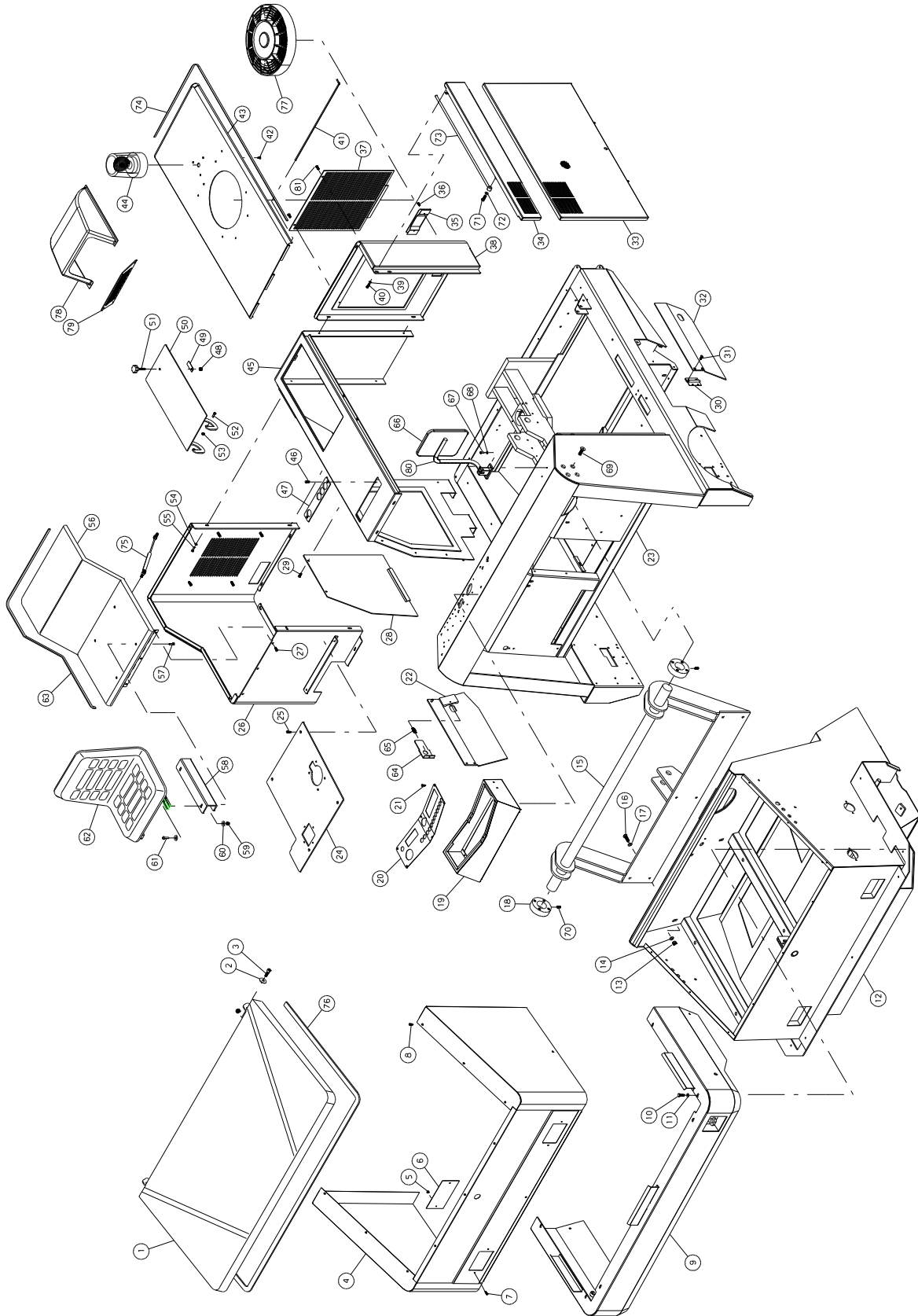
fiorentini

S 48 D

PARTI DI RICAMBIO - SPARE PARTS
PIECES DETACHEES – ERSATZTEILE

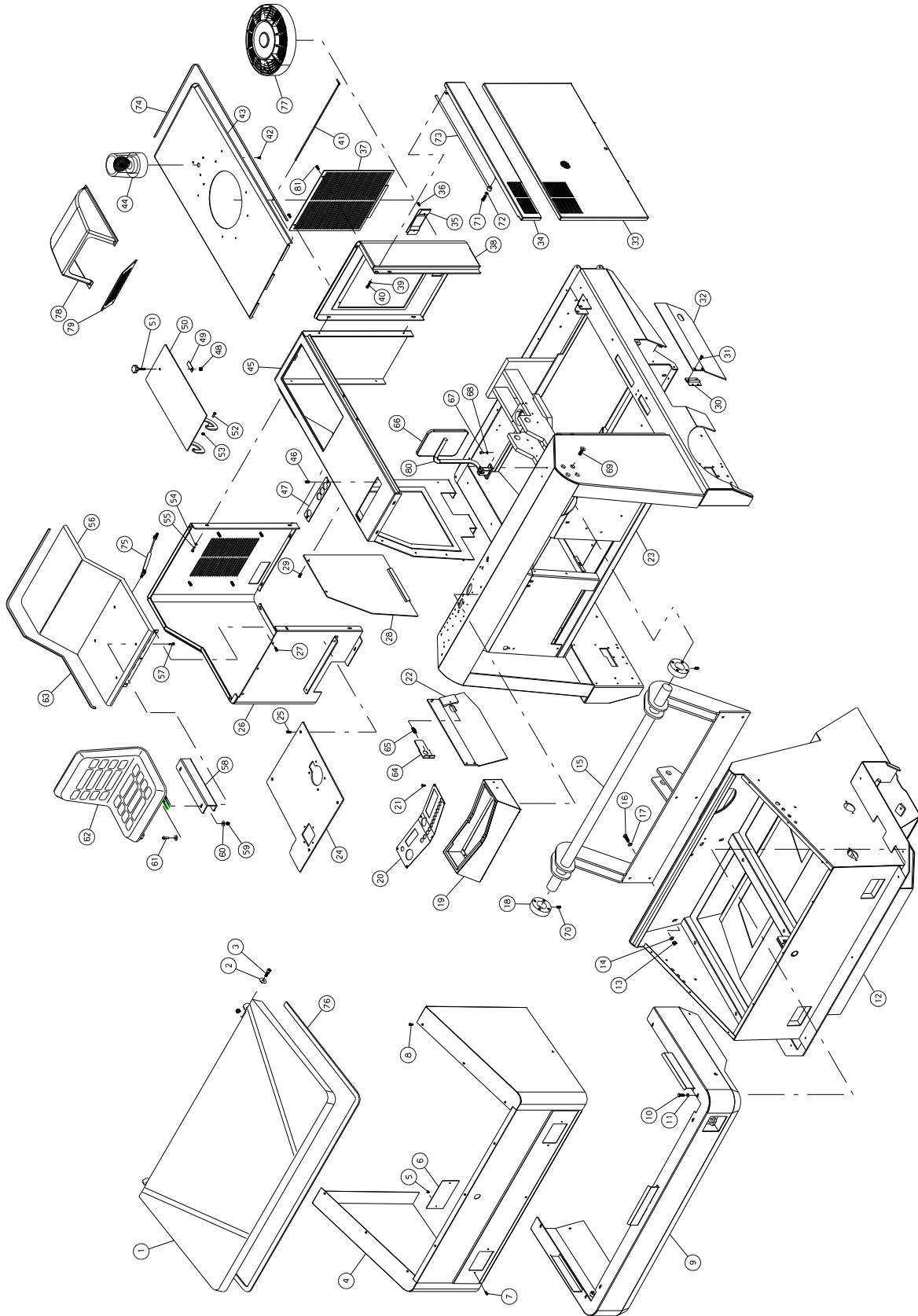


**ING. O. FIORENTINI
INDUSTRIAL CLEANING MACHINE**



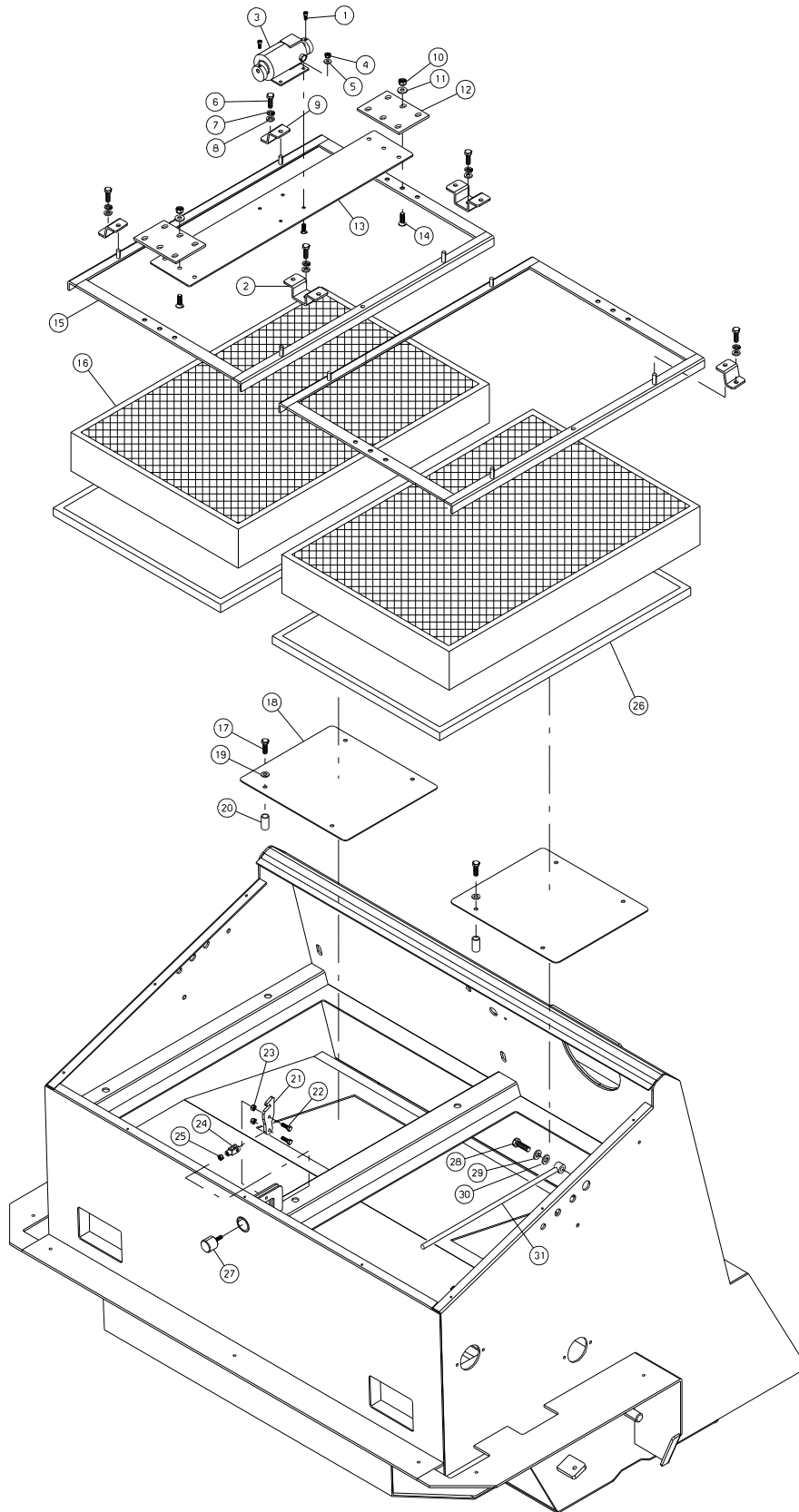


N.Position	Code Num	Qta	Descrizione	Description	Description	Bezeichnung
001...001	MT-CO5015	1	COFANO CASSONE SPAZZATURA	DIRT HOPPER COVER	COFFRE BAC DECHETES	DECKEL
001...002	MT-RO205	2	RONDELLA NORMALE DIAM. 10 UNI 6592/	WASHER	RONDELLE	SCHEIBE
001...003	MT-VV5008	2	TCE BUTTON UNI7380 10X30 ZIN	SCREW	VIS	SCHRAUBE
001...004	MT-LM5089	1	LAMIERA DI COPERTURA CASSONE	DIRT HOPPER PLATE	TOLE BAC DECHETS	SEITENBLECH
001...005	MT-DD252	4	DADO AUTOBLOCCANTE M5	NUT	ECROU DE SURETE	MUTTERSCHRAUBE
001...006	MT-CO5017	2	COPERCHIO VANO FARO ANTERIORE	FRONT COVER	COUVERCLE	VORDERVERSCHLUSS
001...007	MT-VV5006	4	TCE BUTTON UNI7380 5x10 ZIN	SCREW	VIS	SCHRAUBE
001...008	MT-VS202	6	VITE SVASATA A CROCE M 4x10 UNI 768	COUNTERSUNK BOLT	VIS	SENKSCHEIBE
001...009	MT-TP5022	1	PARAURTI ANTERIORE	FRONT BUMPER	ANTICHOC AVANT	STOBSTANGE
001...010	MT-VB230	6	VITE CIL. BRUGOLA M8x16 UNI 5931	SCREW	VIS	SCHRAUBE
001...011	MT-RO204	6	RONDELLA PIANA M8	WASHER	RONDELLE	SCHEIBE
001...012	MT-TP5024	1	TELAIO CASSONE RIFIUTI	HOPPER FRAME	CHASSIS BAC DECHETES	RAHMEN
001...013	MT-DD255	6	DADO AUTOBLOCCANTE M10	SELF-LOCKING NUT	ECROU DE SURETE	SICHERUNGSMUTTER
001...014	MT-RO216	6	RONDELLA FISS.CASSONE Di=10,5 De=30	WASHER	RONDELLE	SCHEIBE
001...015	MT-LV5044	1	LEVA RIBALTAMENTO CASSONE	LEVER	LEVIER	HEBEL
001...016	MT-VV5007	6	TCE BUTTON UNI7380 10X40 ZIN	SCREW	VIS	SCHRAUBE
001...017	MT-RO256	6	RONDELLA SPACCATI DIAM.10 UNI 1751	WASHER	RONDELLE	SCHEIBE
001...018	MT-BO5012	2	BOCCOLA PERNO SOLLEVAMENTO CASSONE	BRUSH	DOUILLE	BUCHSE
001...019	MT-LM5090	1	LAMIERA SUPPORTO CRUSCOTTO	DASHBOARD PLATE	TOLE TABLEAU DE BORD	BLECH
001...020	MT-LM5092	1	LAMIERA CRUSCOTTO	DASHBOARD PLATE	TOLE TABLEAU DE BORD	BLECH
001...021	MT-VS202	4	VITE SVASATA A CROCE M 4x10 UNI 768	COUNTERSUNK BOLT	VIS	SENKSCHEIBE
001...022	MT-LM5083	1	LAMIERA SPORTELLI DESTRO SPAZ.CENTR	RH DOOR CENTRAL BRUSH	TOLE OUVERTURE BROSE	EISENBLECH
001...023	MT-TP5021	1	TELAIO BASE S48	BASE FRAME	CHASSIS BASE	UNTERLAGERAHMEN
001...024	MT-LM5095	1	LAMIERA PEDANA	BOARDSHEET	TOLE	BLECH
001...025	MT-VS220	4	VITE TESTA SVASATA M6x10	SCREW	VIS	SCHRAUBE
001...026	MT-LM5088	1	LAMIERA INFERIORE SEDILE	PLATE UNDER SEAT	TOLE SOUS SIEGE	EISENBLECH
001...027	MT-VS220	3	VITE TESTA SVASATA M6x10	SCREW	VIS	SCHRAUBE
001...028	MT-CO5013	1	COPERCHIO INFERIORE LAMIERA CENTRAL	COVER	COUVERCLE	DECKEL
001...029	MT-VS220	2	VITE TESTA SVASATA M6x10	SCREW	VIS	SCHRAUBE
001...030	MT-MV5018	2	CERNIERA SPORTELLI LATERALE	HINGE SIDE DOOR	CHARNIERE OUVERTURE	SCHARNIER
001...031	MT-VS220	4	VITE TESTA SVASATA M6x10	SCREW	VIS	SCHRAUBE
001...032	MT-LM5082	1	LAMIERA SPORTELLI SINISTRO SPAZ.CEN	SHEET	TOLE	BLECH
001...033	MT-LM5071	1	LAMIERA INFERIORE LATO MOTORE	PLATE UNDER MOTOR	TOLE INF.MOTEUR	BLECH
001...034	MT-LM5087	1	LAMIERA SUPERIORE LATO MOTORE	SHEET	TOLE	BLECH
001...035	MT-CO5016	2	COPERCHIO VANO FARO POSTERIORE	REAR COVER	COUVERCLE	RUECKVERSCHLUSS
001...036	MT-VS211	4	VITE SVASATA A CROCE M 5x12 UNI 768	SCREW M5x12	VIS	SCHRAUBE
001...037	MT-LM5171	1	GRIGLIA POSTERIORE UBF48	REAR GRID	GRILLE ARRIERE	GITTER
001...038	MT-LM5085	1	LAMIERA POSTERIORE DESTRA	SHEET	TOLE	BLECH
001...039	MT-RO305	2	RONDELLA SLARGATA DIAM. 6x24 UNI 65	WASHER	RONDELLE	SCHEIBE
001...040	MT-VE243	4	VITE ESAGONALE M6x16 UNI 5737/77	HEXAGONAL-HEADED BOLT	VIS	SECHSECKIGE SCHRAUBE
001...041	MT-PE4800	1	PERNO CERNIERA COFANO MOTORE	PIN	PIVOT	STIFT
001...042	MT-VE246	3	VITE ESAGONALE M6x30 UNI 5737/77	SCREW	VIS	SCHRAUBE
001...043	MT-CO5040	1	COFANO VANO MOTORE CON VENTILAZIONE	ENGINE ROOM BONNET	CAPOT-MOTEUR	MOTORSHAUBE
001...044	MT-PY5009	1	LAMPEGGIANTE ROTANTE ARANCIO 12V	ORANGE FLASHING LIGHT	GYROPHARE	BLINKLEUCHTE
001...045	MT-LM5086	1	LAMIERA CENTRALE MACCHINA	CENTER PLATE	TOLE CENTRALE	BLECH
001...046	MT-VS220	2	VITE TESTA SVASATA M6x10	SCREW	VIS	SCHRAUBE
001...047	MT-PT5096	1	PLANCIA DISTRIBUTORI UBF 48	DASHBOARD	PLANCHE DISTRIBUTEURS	TAFEL
001...048	MT-DD205	1	DADO M8 UNI 5588/65	NUT	ECROU	MUTTER
001...049	MT-LV5100	1	LEVA CHIUSURA SPORTELLI S48	LEVER	LEVIER	HEBEL
001...050	MT-CO5012	1	COPERCHIO SUPERIORE LAMIERA CENTRAL	COVER	COUVERCLE SUP.TOLE	DECKEL
001...051	MT-VP5005	1	POMELLO CON INDICATORE ELESA COD.66	KNOB	POMMEAU	KUGELGRIFF
001...052	MT-VB420	2	VITE CIL. BRUGOLA M6x25 UNI5931-77	SCREW	VIS	ZYLINDERSCHRAUBE
001...053	MT-DD253	2	DADO AUTOBLOCCANTE M6	SELF-LOCKING NUT	ECROU DE SURETE	SICHERUNGSMUTTER
001...054	MT-RO256	4	RONDELLA SPACCATI DIAM.10 UNI 1751	WASHER	RONDELLE	SCHEIBE
001...055	MT-VB220	4	VITE CIL.BRUGOLA M6x20 UNI 5931/77	CHEESE-HEADED SCREW	VIS	SCHRAUBE
001...056	MT-LM5084	1	LAMIERA SUPPORTO SEDILE	SHEET	TOLE	BLECH
001...057	MT-VB231	4	VITE CIL. BRUGOLA M8x20 ZINCATA	CHEESE-HEADED SCREW	VIS	ZYLINDERSCHRAUBE
001...058	MT-DT5017	2	DISTANZIALE SEDILE OPERATORE	SPACER	ENTRETOISE	DISTANZSTUECK
001...059	MT-DD254	4	DADO AUTOBLOCCANTE M8	SELF-LOCKING NUT	ECROU DE SURETE	SICHERUNGSMUTTER
001...060	MT-RO404	4	RONDELLA NORM.DIAM. 8 UNI 6592/69 I	WASHER	RONDELLE	SCHEIBE
001...061	MT-VV5005	4	VITE TESTA BOMBATA M8x16	CUP-HEADED BOLT	VIS	HALBRUNDSCHRAUBE
001...062	MT-MI5023	1	SEDILE COMPLETO S48D	SEAT	SIEGE	SITZ
001...063	MT-GR5053	1	GUARNIZIONE COPRIBORDO L=1300	GASKET	GARNITURE	SELBSTKLEBENDE DICHTU
001...064	MT-PT5040	2	PIASTRINO DI CHIUSURA SPORTELLI LAT	SIDE DOOR GRIPPING	PLAQUE OUVERTURE LAT.	PLATTE
001...065	MT-ML009	2	MOLLA De=11/Df=1,3/Lm=38/Lt=55 T.2	SPRING	RESSORT	FEDER
001...066	MT-MI5030	1	SPECCHIO RETROVISORE	DOOR MIRROR	RETROVISEUR	AUSSENSPIEGEL
001...067	MT-VV5004	2	VITE TESTA BOMBATA M6x20	CUP-HEADED BOLT	VIS BOMBEE	HALBRUNDSCHRAUBE
001...068	MT-RO203	2	RONDELLA NORMALE DIAM. 6 UNI 6592/6	WASHER D6	RONDELLE	SCHEIBE
001...069	MT-VV465	8	VITE SVAS.BRUGOLA M12X30 UNI5933/77	SCREW	VIS	SENKSCHEIBE



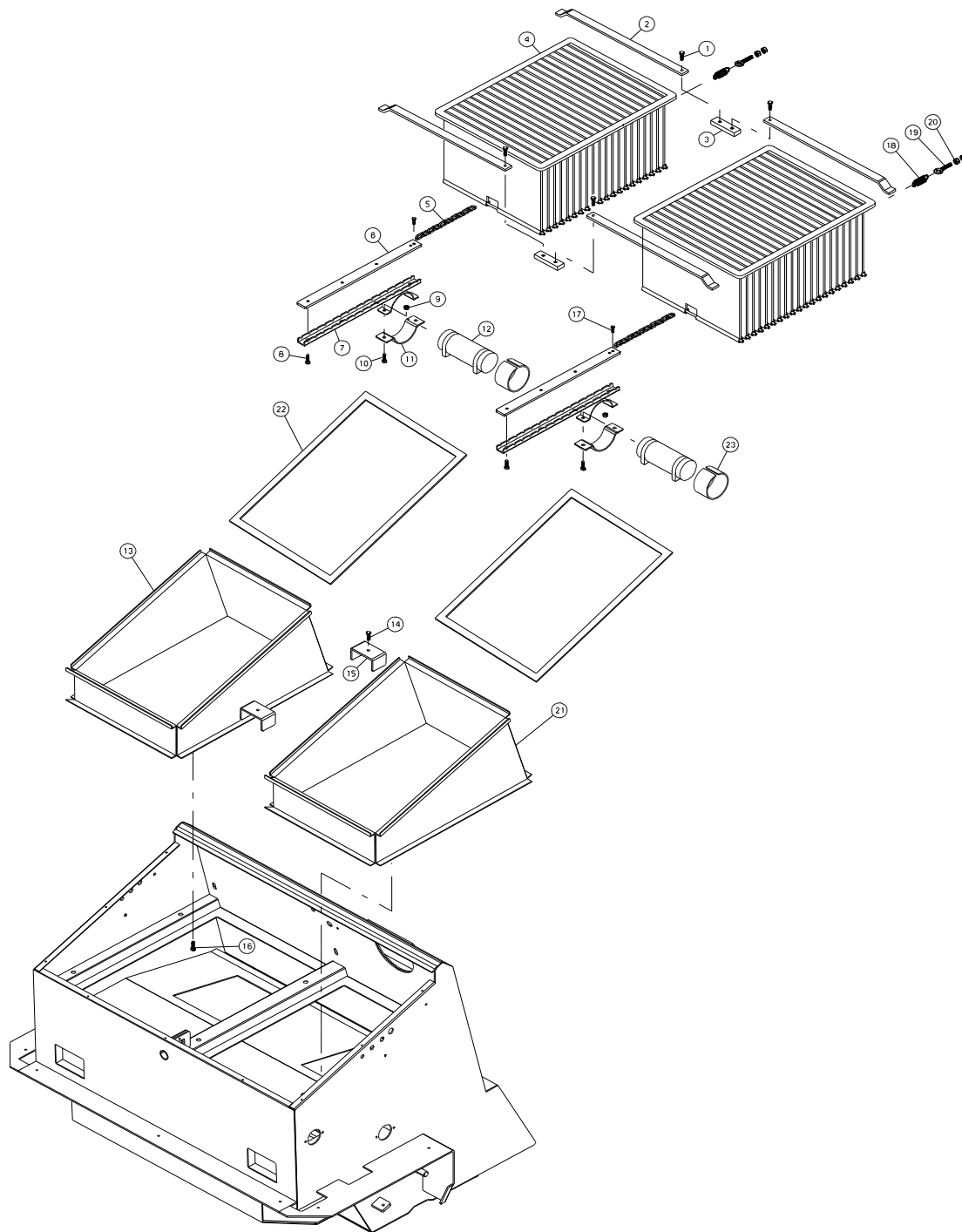


N.Position	Code Num	Qta	Descrizione	Description	Description	Bezeichnung
001...070	MT-IR002	2	INGRASSATORE C/CHIUS.A SFERA M8 UNI	LUBRICATOR	GRAISSEUR	SCHMIERBUECHSE
001...071	MT-VE282	1	VITE ESAGONALE M10x30 UNI 5737/77	HEXAGONAL-HEADED BOLT	VIS	SECHSECKIGE SCHRAUBE
001...072	MT-RO205	1	RONDELLA NORMALE DIAM. 10 UNI 6592/	WASHER	RONDELLE	SCHEIBE
001...073	MT-TI5026	1	ASTA COFANO MOTORE UBF48	ROD	HAMPE CAPOT-MOTEUR	STANGE
001...074	MT-GR5054	1	GUARNIZIONE COPRIBORDO L=1600	GASKET	GARNITURE	DICHTUNG
001...075	MT-AM002	1	AMMORTIZ.SOLLEV.SERBATOI L=300 F=25	TANKS LIFT.SHOCK ABS.	AMORTISSEUR	STOSSDAEMPFER
001...076	MT-GR5055	1	GUARNIZIONE MOUSSE ADESIVO 5X10 L=2	GASKET	GARNITURE	SELBSTKLEBENDE DICHTU
001...077	MT-FU5009	1	VENTOLA SPAL VA09-AP8/C-27A 12V	SUCTION FAN	ROTOR	SAUGLUEFTERRAD
001...078	MT-TP5075	1	CONVOGLIATORE ARIA VANO MOTORE S48D	AIR CONVEYOR	CONVOYEUR	LUFTLEITBLECH
001...079	MT-LM5232	1	GRIGLIA PER CONVOGLIATORE S48D	CONVEYOR GRID	GRILLE CONVOYEUR	GITTER
001...080	MT-MI5033	1	SUPPORTO SPECCHIO RETROVISORE SX	LEFT SUPPORT	SUPPORT RETROVISEUR G	LINKSSTUETZE
001...081	MT-VS220	2	VITE TESTA SVASATA M6x10	SCREW	VIS	SCHRAUBE



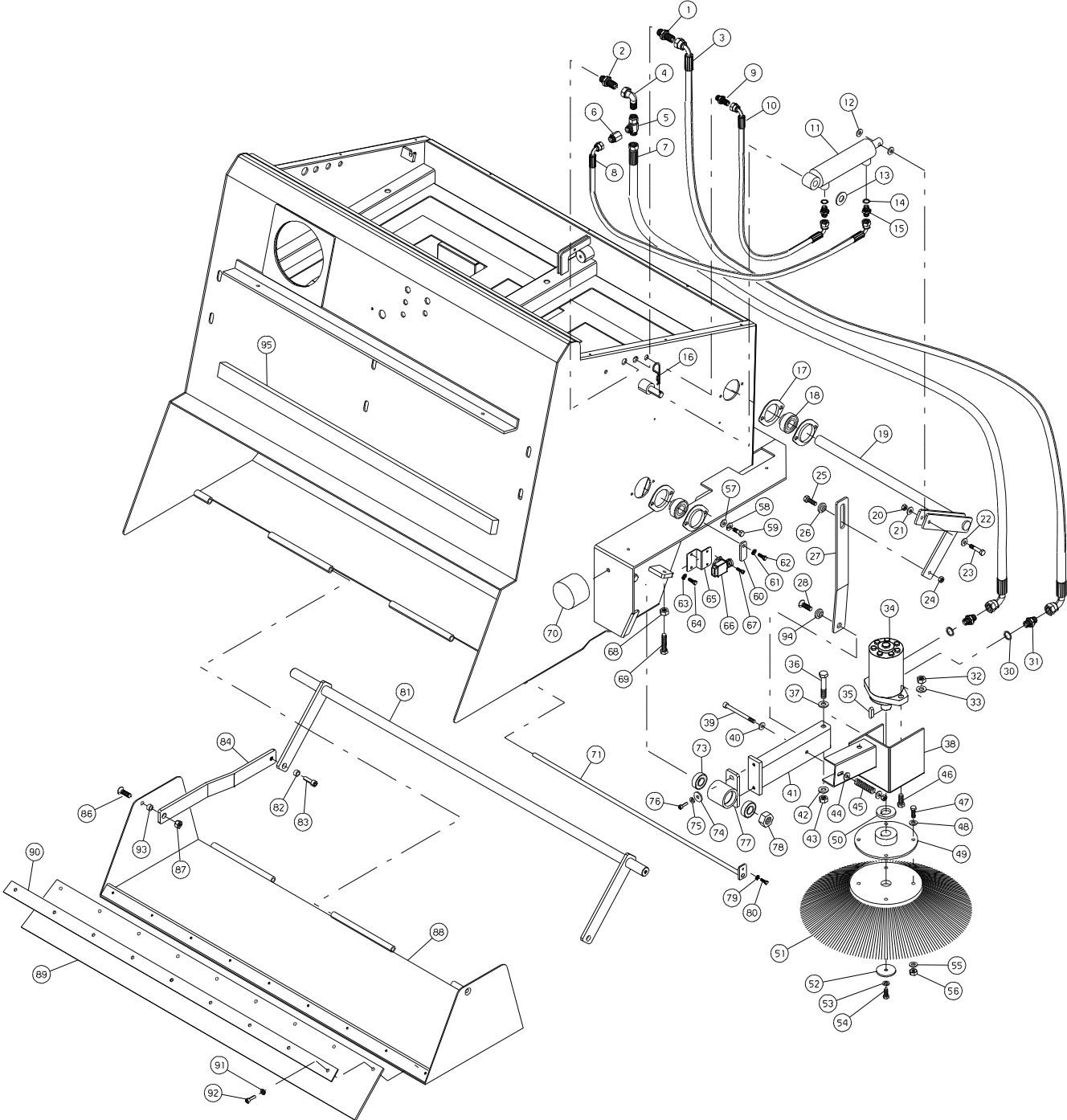


N.Position	Code Num	Qta	Descrizione	Description	Description	Bezeichnung
002...001	MT-VB436	2	VITE CIL.BRUGOLA M8x35 UNI5931 INOX	SCREW	VIS	ZYLINDERSCHRAUBE
002...002	MT-SU5164	2	OMEGA FISSAGGIO FILTRI UBF48	SUPPORT	SUPPORT	STUETZE
002...003	MT-MO5006	2	MOTORE SCUOTIFILTRO 12V	FILTER SHAKER MOTOR 1	MOTEUR VIBREUR 12V	MOTOR
002...004	MT-DD253	8	DADO AUTOBLOCCANTE M6	SELF-LOCKING NUT	ECROU DE SURETE	SICHERUNGSMUTTER
002...005	MT-RO203	8	RONDELLA NORMALE DIAM. 6 UNI 6592/6	WASHER D6	RONDELLE	SCHEIBE
002...006	MT-VE265	4	VITE ESAGONALE M8x40 UNI 5737/77	HEXAGONAL-HEADED BOLT	VIS	SECHSECKIGE SCHRAUBE
002...007	MT-RO255	4	RONDELLA SPACCATI DIAM. 8 UNI 1751	WASHER	RONDELLE	SCHEIBE
002...008	MT-RO204	4	RONDELLA PIANA M8	WASHER	RONDELLE	SCHEIBE
002...009	MT-SU5165	2	Z FISSAGGIO FILTRI UBF48	FILTERS SUPPORT	SUPPORT	FILTERSTUETZE
002...010	MT-DD254	24	DADO AUTOBLOCCANTE M8	SELF-LOCKING NUT	ECROU DE SURETE	SICHERUNGSMUTTER
002...011	MT-RO504	24	RONDELLA SLARG.D.8x16 UNI6592/69 IN	WASHER	RONDELLE	SCHEIBE
002...012	MT-BP5024	4	GOMMA DI SOSTEGNO LAMIERA SCUOTIFIL	RUBBER	CAOUTCHOUC	GUMMI
002...013	MT-PT5027	2	PIASTRA SCUOTIFILTRO	FILTER SHAKER PLATE	PLAQUE SECOUEUR FILTR	SCHUETTELNFILTERSPLAT
002...014	MT-VS5001	18	VITE SVASATA M8x20	COUNTERSUNK BOLT	VIS EVASEE	SENKRSCHRAUBE
002...015	MT-TP5023	2	TELAIO FILTRI CASSONE	FILTERS FRAME	CHASSIS DES FILTRES	RAHMEN
002...016	MT-FT5004	2	FILTRO A PANNELLO CASSONE S48D	PANEL FILTER	FILTRE A PANNEAU	FILTER
002...017	MT-VE227	8	VITE ESAGONALE 5x25 ACCIAIO ZINC.	HEXAGONAL-HEADED BOLT	VIS 5X25	SECHSECKIGE SCHRAUBE
002...018	MT-LM5215	2	LAMIERA 350x200 GR. FILTRO A PANNEL	SHEET	TOLE	BLECH
002...019	MT-RO202	8	RONDELLA M5	WASHER	RONDELLE	SCHEIBE
002...020	MT-BO067	8	BOCCOLA PULEGGIA ZINCATA	PULLEY BUSH	DOUILLE	RIEMENSCHIEBESBUCHSE
002...021	MT-CC5006	1	GANCIO CHIUSURA COFANO FILTRI	HOOK	CROCHET	HAKEN
002...022	MT-VB220	2	VITE CIL.BRUGOLA M6x20 UNI 5931/77	CHEESE-HEADED SCREW	VIS	SCHRAUBE
002...023	MT-DD253	2	DADO AUTOBLOCCANTE M6	SELF-LOCKING NUT	ECROU DE SURETE	SICHERUNGSMUTTER
002...024	MT-SN002	1	SNODO (forcella) M6 (lunga)	JOINT	ROTULE M6 LONGUE	GELENK M6
002...025	MT-DD204	1	DADO M6 UNI 5588/65	NUT	ECROU	MUTTER
002...026	MT-GR5007	2	GUARNIZIONE LARG.10-ALT.5 L.2450mmA	GASKET	GARNITURE	DICHTUNG
002...027	MT-MV5019	1	PULSANTE APERTURA COFANO CASSONE	PUSH BOTT.HOPPER OPEN	POUSSOIR OUVERTURE	KNOPF
002...028	MT-VE282	1	VITE ESAGONALE M10x30 UNI 5737/77	HEXAGONAL-HEADED BOLT	VIS	SECHSECKIGE SCHRAUBE
002...029	MT-RO256	1	RONDELLA SPACCATI DIAM.10 UNI 1751	WASHER	RONDELLE	SCHEIBE
002...030	MT-RO205	1	RONDELLA NORMALE DIAM. 10 UNI 6592/	WASHER	RONDELLE	SCHEIBE
002...031	MT-TI5027	1	ASTA COFANO ANTERIORE UBF48	ROD	HAMPE	STANGE



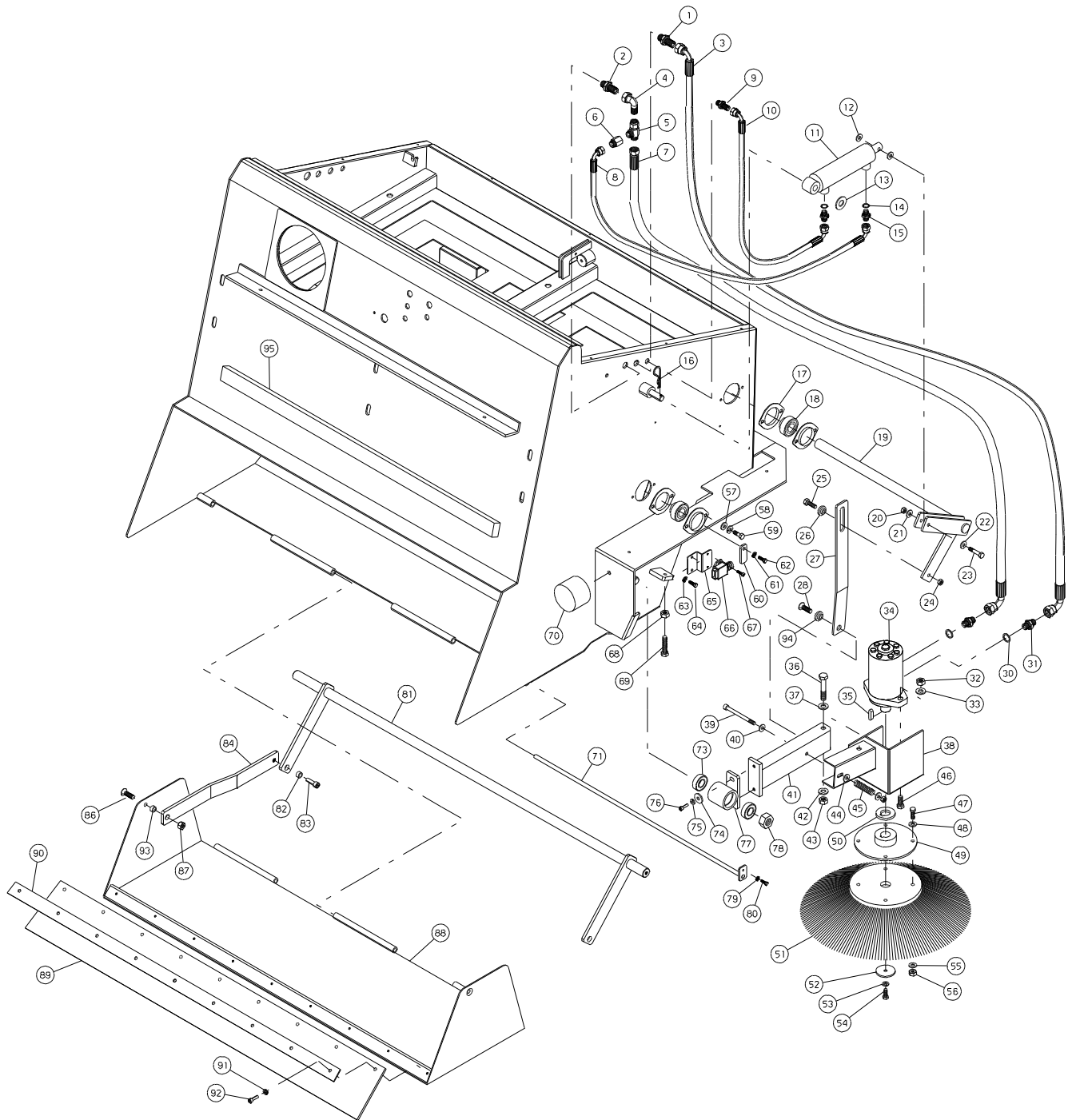


N.Position	Code Num	Qta	Descrizione	Description	Description	Bezeichnung
003...001	MT-VE264	2	VITE ESAGONALE M8x35 UNI 5737/77	HEXAGONAL-HEADED BOLT	VIS	SECHSECKIGE SCHRAUBE
003...002	MT-ST5035	4	STAFFA FISSAGGIO FILTRI A SACCHE S4	FLASK	ETRIER	BUEGEL
003...003	MT-PT5098	2	PIASTRINA FISSAGGIO FILTRI A SACCHE	PLATE	PLAQUE	BLECHLEIN
003...004	MT-FT5033	2	FILTRO A SACCHE S48	BAG FILTER	FILTRE	BEUTELFILTER
003...005	MT-CT5012	2	CATENELLA S48D	CHAIN	CHAINE	KETTCHEN
003...006	MT-ST5034	2	STAFFA SUPPORTO VIBRATORE S48	FLASK	ETRIER SUPPORT VIBRAT	STUETZSTANGE
003...007	MT-SU5188	2	SUPPORTO VIBRATORE INFERIORE S48	LOWER SUPPORT	SUPPORT INFERIEUR	UNTENSTUETZE
003...008	MT-VE263	8	VITE ESAGONALE M8x30 UNI 5737/77	HEXAGONAL-HEADED BOLT	VIS	SECHSECKIGE SCHRAUBE
003...009	MT-DD254	4	DADO AUTOBLOCCANTE M8	SELF-LOCKING NUT	ECROU DE SURETE	SICHERUNGSMUTTER
003...010	MT-VE463	4	VITE ESAGONALE M8X30 UNI 5737-77 IN	HEXAGONAL SCREW	VIS HEXAGONAL	SECHSECKIGE SCHRAUBE
003...011	MT-SU5141	2	SUPPORTO VIBRATORE SUPERIORE	VIBRATOR SUPPORT	SUPPORT VIBRATEUR SUP	STUETZE
003...012	MT-MO164	2	MOTORE SCUOTIFILTRO 12V	ENGINE	MOTEUR	MOTOR
003...013	MT-SU5182	1	SUPPORTO DX FILTRO A SACCHE S48	RIGHT SUPPORT	SUPPORT DROIT	RECHTE STUETZE
003...014	MT-VE267	2	VITE ESAGONALE M8x50 UNI 5737/77	SCREW	VIS	SCHRAUBE
003...015	MT-ST5032	2	STAFFA FISSAGGIO FILTRO A SACCHE S4	FLASK	ETRIER	BEFESTIGUNGSSTANGE
003...016	MT-VE260	4	VITE ESAGONALE M8x16 UNI 5737/77	HEXAGONAL-HEADED BOLT	VIS	SECHSECKIGE SCHRAUBE
003...017	MT-VE260	1	VITE ESAGONALE M8x16 UNI 5737/77	HEXAGONAL-HEADED BOLT	VIS	SECHSECKIGE SCHRAUBE
003...018	MT-ML5022	2	MOLLA TIRARE C/OCCHIELLI X FILTRO S	SPRING	RESSORT	FEDER
003...019	MT-MI5115	2	TIRANTE AD OCCHIO M10X30 ZINCATO	TIE ROD	TIRANT	SPANNSTANGE
003...020	MT-DD205	4	DADO M8 UNI 5588/65	NUT	ECROU	MUTTER
003...021	MT-SU5183	1	SUPPORTO SX FILTRO A SACCHE S48	LEFT SUPPORT	SUPPORT GAUCHE	LINKE STUETZE
003...022	MT-GR0004	2	GUARNIZIONE MOUSSE ADESIVO 5X25	STRIP 5x25	GARNITURE 5X25	KLEBEDICHTUNG
003...023	MT-GR5004	2	GOMMA FISSAGGIO MOTORE SCUOTIFILTRO	RUBBER CLAMP FITTER SHAKES	FIXAGE CAONTCHOUC MOTEUR D'E'BRANLEMONT FILTRE	GUMMIHALTERUNG FILTERSCHUTTLERMOTOR



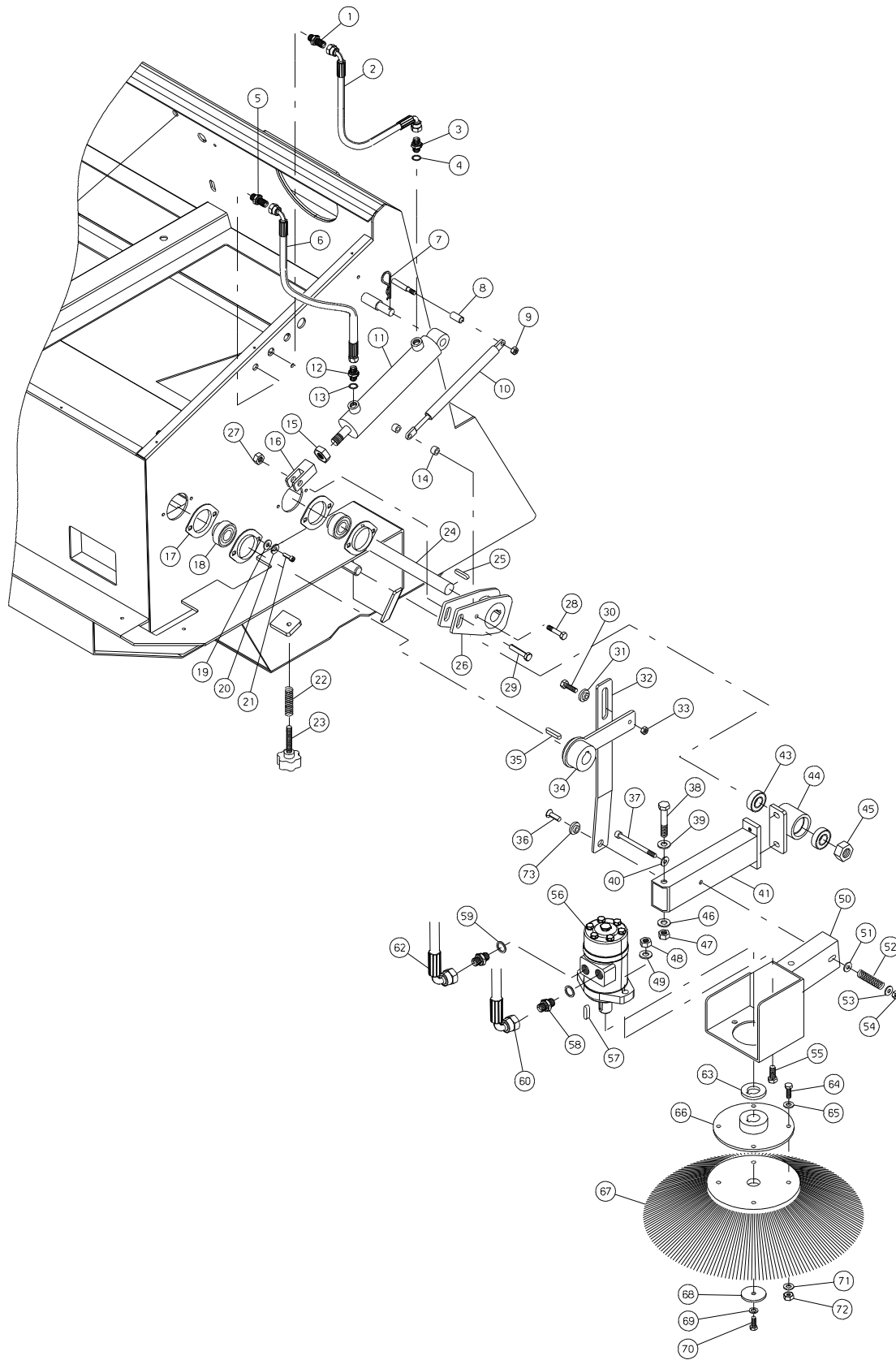


N.Position	Code Num	Qta	Descrizione	Description	Description	Bezeichnung
004...001	MT-RC5005	1	NIPLES PASSAPARETE G3/8	NIPLES	1RC5012	NIPPEL
004...002	MT-RC5005	1	NIPLES PASSAPARETE G3/8	NIPLES	1RC5012	NIPPEL
004...003	MT-TU043	1	TUBO 3/8 F90 F90(BASSA) L=900	HOSE 3/8	TUYAU 3/8 F90	ROHR
004...004	MT-RC5073	1	ADATT.90 CON DADO GIR.GAS 3/8 400B	FITTING	RACCORD	ANSCHLUSS
004...005	MT-RC5022	1	NIPLES A T 3/8 M-M.90 F.GIR.	NIPPLE	ADAPTATEUR	NIPPEL
004...006	MT-RC5061	1	RACCORDO COLONNETTA CORTA M1/4 F3/8	PIPE FITTING	RACCORD COLONNETTE CO	ANSCHLUSS
004...007	MT-TU042	1	TUBO 3/8 FD F90(BASSA) L=920	HOSE 3/8 FD	TUYAU 3/8 FD	ROHR
004...008	MT-TU047	1	TUBO 1/4 F90 F90 L=410	PIPE	TUYAU	ROHR
004...009	MT-RC5087	1	PASSAPARETE 1/4 CON DADO	FITTING	RACCORD	ANSCHLUSS
004...010	MT-TU048	1	TUBO 1/4 F90 F90 L=260	PIPE	TUYAU	ROHR
004...011	MT-MA5006	1	MARTINETTO SPAZZOLA LATERALE	JACK	VERIN	HEBEBOCK
004...012	MT-RO204	2	RONDELLA PIANA M8	WASHER	RONDELLE	SCHEIBE
004...013	MT-RO218	1	RONDELLA NORMALE DIAM. 12 UNI 6592/	WASHER	RONDELLE NORM. 12	SCHEIBE
004...014	MT-RC012	2	ROSETTA A TENUTA 1/4"	WASHER	RONDELLE	SCHEIBE
004...015	MT-RC5016	2	NIPLES M-M G1/4 G1/4	NIPLES 1/4	NIPLES 1/4	NIPPEL 1/4
004...016	MT-CP250	1	COPIGLIA A R D.3 L=60	SPLIT PIN	GOUPILLE	SPLINT
004...017	MT-SC5000	1	SUPPORTO CUSCINETTO PFT52 (COPPIA)	OVAL PAIR	COUPLE OVALE	OVALPAAR
004...018	MT-CS7001	1	CUSCINETTO SKF YAT205	BEARING	ROULEMENT	LAGER
004...019	MT-AL5020	1	ALBERO LEVA SPAZZOLA LATERALE	BRUSH SHAFT	ARBRE BROSSE	HEBELWELLEBURSTE
004...020	MT-DD254	1	DADO AUTOBLOCCANTE M8	SELF-LOCKING NUT	ECROU DE SURETE	SICHERUNGSMUTTER
004...021	MT-RO204	1	RONDELLA PIANA M8	WASHER	RONDELLE	SCHEIBE
004...022	MT-RO204	1	RONDELLA PIANA M8	WASHER	RONDELLE	SCHEIBE
004...023	MT-VE273	1	VITE ESAGONALE M8x55 UNI5737/77 FIL	HEXAGONAL SCREW	VIS HEXAGONAL	SECHSECKIGE SCHRAUBE
004...024	MT-DD205	1	DADO M8 UNI 5588/65	NUT	ECROU	MUTTER
004...025	MT-VE262	1	VITE ESAGONALE M8x25 UNI 5137/77	SCREW	VIS	SECHSECKIGE SCHRAUBE
004...026	MT-BO024	1	BOCCOLA LEVE SOLL. GRUPPO SPAZZ.	BUSH	BOUCLE	BUCHSE
004...027	MT-LV5051	1	LEVA SOLLEVAMENTO SPAZZOLA LATERALE	LEVER	LEVIER	HEBEL
004...028	MT-VS5001	1	VITE SVASATA M8x20	COUNTERSUNK BOLT	VIS EVASEE	SENKSCHEIBE
004...030	MT-RC016	2	ROSETTA A TENUTA G1/2	WASHER	RACCORD	SCHEIBE
004...031	MT-RC5053	1	RACCORDO RIDUZIONE M1/2 M3/8	FITTING	RACCORD	ANSCHLUSS
004...032	MT-DD255	2	DADO AUTOBLOCCANTE M10	SELF-LOCKING NUT	ECROU DE SURETE	SICHERUNGSMUTTER
004...033	MT-RO205	2	RONDELLA NORMALE DIAM. 10 UNI 6592/	WASHER	RONDELLE	SCHEIBE
004...034	MT-MO5013	1	MOTORE IDRAULICO OMP 100	SIDE BRUSH HYDR.MOTOR	MOTEUR HYDRAUL.BR.LAT	MOTOR
004...035	MT-CH045	1	LINGUETTA 8x7x30 UNI 6604-A	TONGUE	CLAVETTE	PASSFEDER
004...036	MT-VE493	1	VITE ESAGONALE M12X90 ZINC	HEXAGONAL SCREW	VIS HEXAGONAL	SECHSECKIGE SCHRAUBE
004...037	MT-RO218	1	RONDELLA NORMALE DIAM. 12 UNI 6592/	WASHER	RONDELLE NORM. 12	SCHEIBE
004...038	MT-SU5056	1	SUPPORTO MOTORE IDR.SPAZ.LATERALE D	RH SIDE BR.MOTOR SUPP	SUPP.MOTEUR BR.LAT.DR	HALTER MOTOR
004...039	MT-VB5001	1	VITE CILINDRICA BRUGOLA M8x60	CHEESE-HEADED SCREW	VIS	ZYLINDERSCHRAUBE
004...040	MT-RO204	1	RONDELLA PIANA M8	WASHER	RONDELLE	SCHEIBE
004...041	MT-SU5063	1	ATTACCO SUPPORTO SPAZZOLA LATERALE	SUPPORT	SUPPORT	HALTERBURSTE VERBINDE
004...042	MT-RO218	1	RONDELLA NORMALE DIAM. 12 UNI 6592/	WASHER	RONDELLE NORM. 12	SCHEIBE
004...043	MT-DD256	1	DADO AUTOBLOCCANTE M12	SELF-LOCKING NUT	ECROU DE SURETE M12	SICHERUNGSMUTTER
004...044	MT-RO203	2	RONDELLA NORMALE DIAM. 6 UNI 6592/6	WASHER D6	RONDELLE	SCHEIBE
004...045	MT-ML004	1	MOLLA PER AFCF	SPRING	RESSORT	FEDER
004...046	MT-VE286	2	VITE ESAGONALE M10x35 UNI 5737/77	SCREW	VIS	SECHSECKIGE SCHRAUBE
004...047	MT-VE262	4	VITE ESAGONALE M8x25 UNI 5137/77	SCREW	VIS	SECHSECKIGE SCHRAUBE
004...048	MT-RO204	4	RONDELLA PIANA M8	WASHER	RONDELLE	SCHEIBE
004...049	MT-FL5018	1	FLANGIA SUPPORTO SPAZZOLA LATERALE	SIDE BRUSH FLANGE	FLANGE SUPP.BROSSE LA	FLANSCH
004...050	MT-DT5014	1	DISTANZIALE MOTORE SPAZZOLA LATERAL	SPACER	ENTRETOISE	BUCHSE
004...051	MT-SZ5002	1	SPAZZOLA LATERALE S48D	SIDE BRUSH	BROSSE LATERALE	BURSTE
004...052	MT-VI040	1	RONDELLA SPECIALE (ZINCATA)	WASHER	RONDELLE	SCHEIBE
004...053	MT-RO255	1	RONDELLA SPACCATA DIAM. 8 UNI 1751	WASHER	RONDELLE	SCHEIBE
004...054	MT-VE263	1	VITE ESAGONALE M8x30 UNI 5737/77	HEXAGONAL-HEADED BOLT	VIS	SECHSECKIGE SCHRAUBE
004...055	MT-VE263	1	VITE ESAGONALE M8x30 UNI 5737/77	HEXAGONAL-HEADED BOLT	VIS	SECHSECKIGE SCHRAUBE
004...056	MT-DD254	1	DADO AUTOBLOCCANTE M8	SELF-LOCKING NUT	ECROU DE SURETE	SICHERUNGSMUTTER
004...057	MT-RO204	2	RONDELLA PIANA M8	WASHER	RONDELLE	SCHEIBE
004...058	MT-RO255	2	RONDELLA SPACCATA DIAM. 8 UNI 1751	WASHER	RONDELLE	SCHEIBE
004...059	MT-VE260	2	VITE ESAGONALE M8x16 UNI 5737/77	HEXAGONAL-HEADED BOLT	VIS	SECHSECKIGE SCHRAUBE
004...060	MT-PT5052	1	PIASTRINA AZIONAMENTO MICRO FLAP	PLATE	PLAQUE	BLECHLEIN
004...061	MT-RO255	1	RONDELLA SPACCATA DIAM. 8 UNI 1751	WASHER	RONDELLE	SCHEIBE
004...062	MT-VE260	1	VITE ESAGONALE M8x16 UNI 5737/77	HEXAGONAL-HEADED BOLT	VIS	SECHSECKIGE SCHRAUBE
004...063	MT-RO254	2	RONDELLA SPACCATA DIAM. 6 UNI 1751	WASHER	RONDELLE	SCHEIBE
004...064	MT-VB221	2	VITE CIL. BRUGOLA M6x16 UNI 5931/77	SCREW	VIS	SCHRAUBE
004...065	MT-ST5017	1	STAFFA PORTAMICRO S48B-D	FLASK	ETRIER	STANGE
004...066	MT-IN5005	1	MICRO COMANDO SPIA FLAP	MICRO	MICRO	MIKROSCHALTER
004...067	MT-VV5003	2	VITE TESTA BOMBATA M4x10	CUP-HEADED BOLT	VIS	HALBRUNDSCHRAUBE
004...068	MT-DD206	1	DADO M10 UNI 5588/65	NUT	ECROU	MUTTER
004...069	MT-VP5006	1	POMELLO VPA/45 M10X70	KNOB	POMMEAU	KUGELGRIFF
004...070	MT-MI5027	1	SILENTBLOCK A TAMPONE M12X37	SILENTBLOK	SILENTBLOCK	SILENTBLOCK
004...071	MT-PE5035	1	PERNO X TELAIO FLAP	PIN	PIVOT	BOLZEN
004...073	MT-CS005	2	CUSCINETTO A SFERE 6004 2RS1	BALL BEARING	ROULEMENT A BILLES	KUGELLAGER
004...074	MT-RO204	2	RONDELLA PIANA M8	WASHER	RONDELLE	SCHEIBE
004...075	MT-RO255	2	RONDELLA SPACCATA DIAM. 8 UNI 1751	WASHER	RONDELLE	SCHEIBE
004...076	MT-VB231	2	VITE CIL. BRUGOLA M8x20 ZINCATA	CHEESE-HEADED SCREW	VIS	ZYLINDERSCHRAUBE
004...077	MT-SU065	1	SUPPORTO CUSCINETTI STERZO	BEARING SUPPORT	SUPPORT	LAGERSTUETZE
004...078	MT-DD264	1	DADO AUTOBLOCCANTE M20 1/2	SELF-LOCKING NUT	ECROU DE SURETE	MUTTER



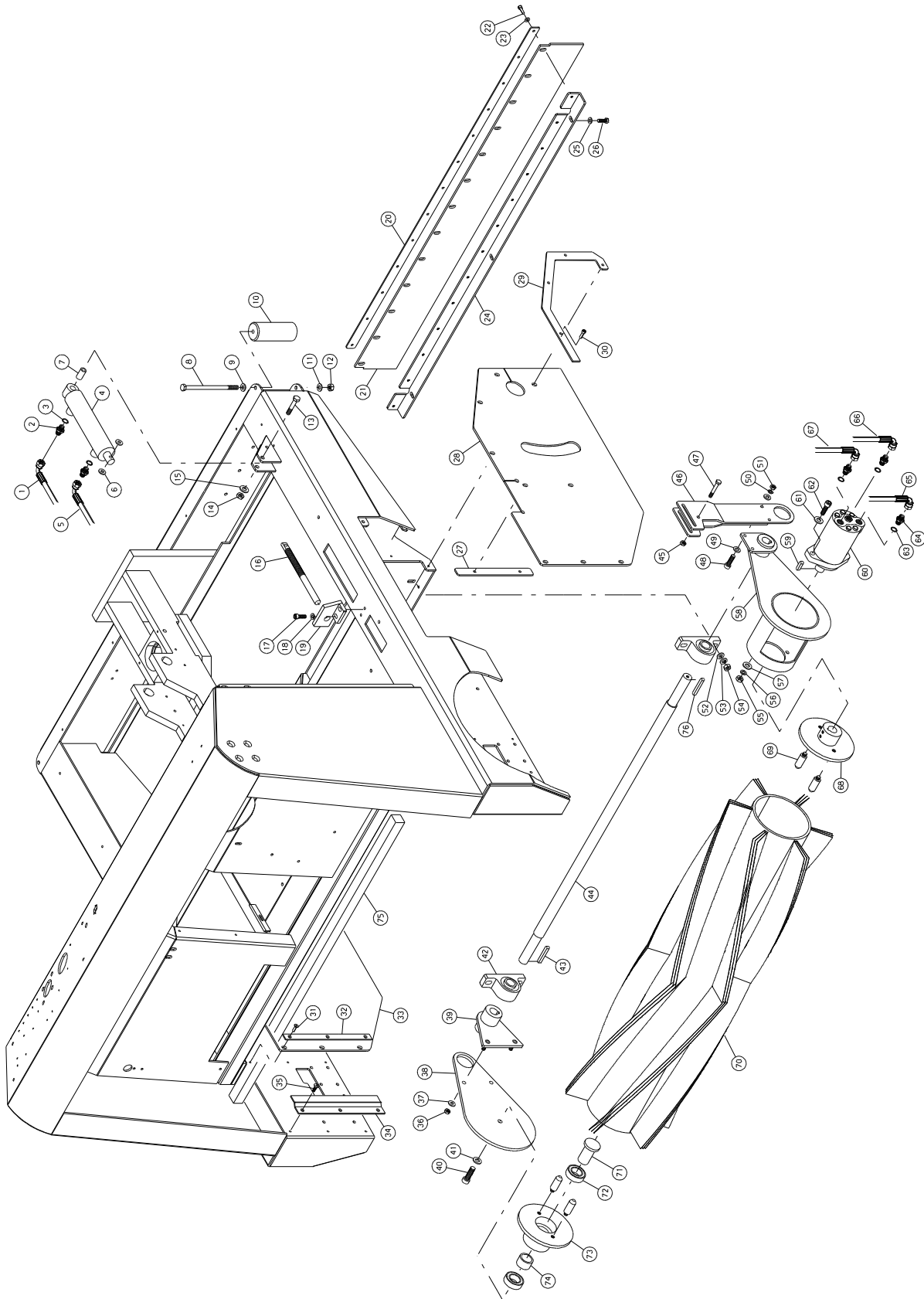


N.Position	Code Num	Qta	Descrizione	Description	Description	Bezeichnung
004...079	MT-DD253	1	DADO AUTOBLOCCANTE M6	SELF-LOCKING NUT	ECROU DE SURETE	SICHERUNGSMUTTER
004...080	MT-VS311	1	VITE SVASATA A TAGLIO M 5x8 UNI 610	COUNTERSUNK SCREW	VIS	SENKSCHRAUBE
004...081	MT-AL5021	1	ALBERO DI SOLLEVAMENTO FLAP	SHAFT	ARBRE	WELLE
004...082	MT-BO024	2	BOCCOLA LEVE SOLL. GRUPPO SPAZZ.	BUSH	BOUCLE	BUCHSE
004...083	MT-VB240	2	VITE CIL. BRUGOLA M10x20 UNI 5931	SCREW	VIS	SCHRAUBE
004...084	MT-LV5089	2	LEVA APERTURA FLAP UBF48	FLAP LEVER	LEVIER	HEBEL
004...086	MT-VV250	2	VITE SVASATA A BRUGOLA M10x30 UNI59	COUNTERSUNK SCREW	VIS	SENKSCHRAUBE
004...087	MT-DD255	2	DADO AUTOBLOCCANTE M10	SELF-LOCKING NUT	ECROU DE SURETE	SICHERUNGSMUTTER
004...088	MT-TP5026	1	TELAIO FLAP	FLAP FRAME	CHASSIS FLAP	RAHMEN
004...089	MT-BP5021	1	MINIGONNA FLAP	FLAP RUBBER	CAOUTCHOUC FLAP	PUFFER
004...090	MT-LM5093	1	LISTELLO FERMA GOMMA FLAP	BLADE	LISTEL	PUFFERLEISTE
004...091	MT-RO253	9	RONDELLA SPACCATO D5 UNI 1751	WASHER	RONDELLE	SCHEIBE
004...092	MT-VB411	9	VITE CIL. BRUGOLA M5x16 UNI5931/77	CHEESE-HEADED SCREW	VIS	ZYLINDERSCHRAUBE
004...093	MT-BO5051	2	BOCCOLA LEVERAGGIO FLAP	BUSH	BOUCLE	BUCHSE
004...094	MT-BO5050	1	BOCCOLA ATTACCO SPAZZ.LATERALE	BUSH	BOUCLE	BUCHSE
004...095	MT-GR5056	1	PROFILO MOUSSE ADESIVA 40x20 L=118	GASKET	GARNITURE	SELBSTKLEBENDE DICHTU

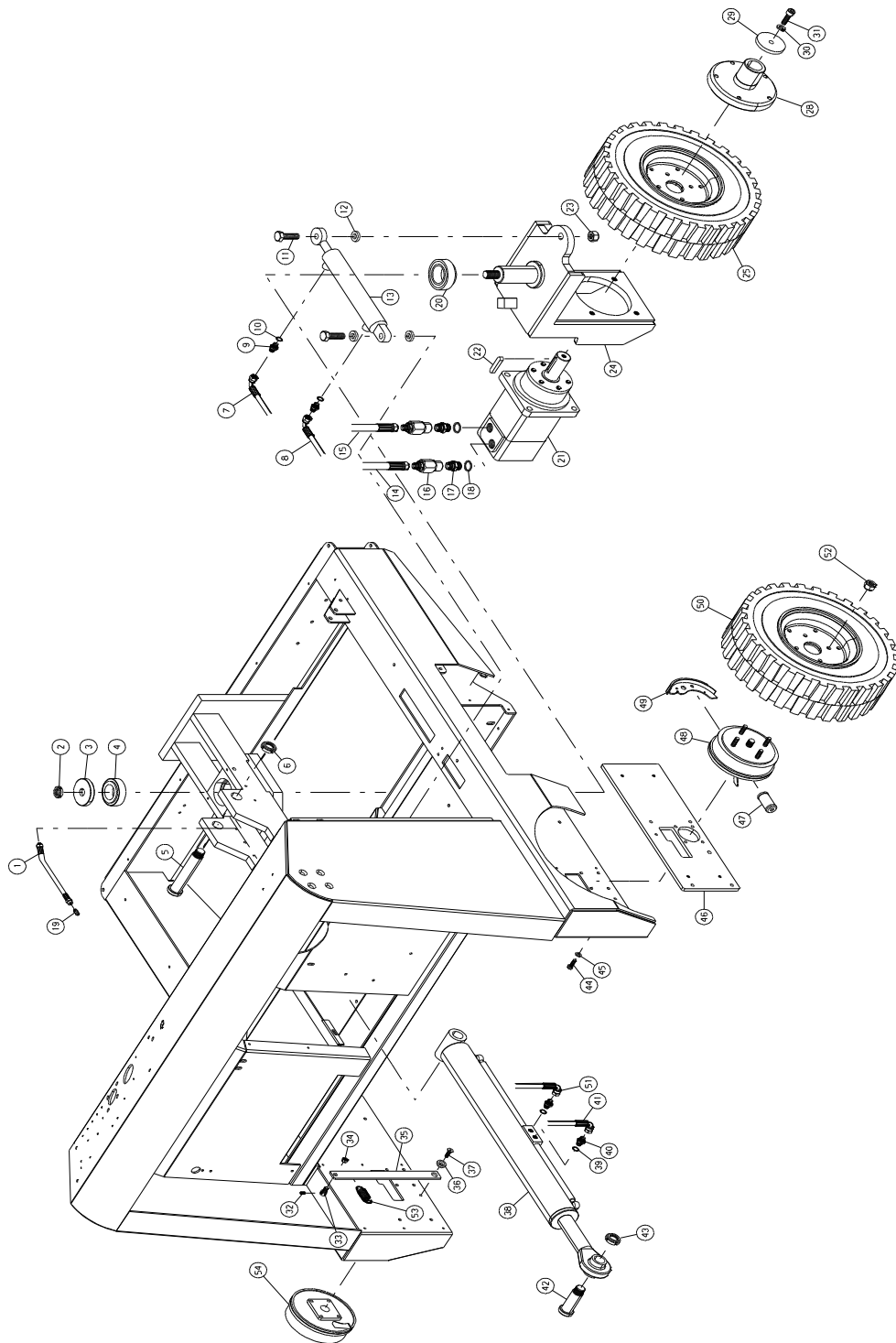




N.Position	Code Num	Qta	Descrizione	Description	Description	Bezeichnung
005...001	MT-RC5087	1	PASSAPARETE 1/4 CON DADO	FITTING	RACCORD	ANSCHLUSS
005...002	MT-TU050	1	TUBO 1/4 F90 F90 L=430	PIPE	TUYAU	ROHR
005...003	MT-RC5016	1	NIPLES M-M G1/4 G1/4	NIPLES 1/4	NIPLES 1/4	NIPPEL 1/4
005...004	MT-RC012	1	ROSETTA A TENUTA 1/4"	WASHER	RONDELLE	SCHIBE
005...005	MT-RC5087	1	PASSAPARETE 1/4 CON DADO	FITTING	RACCORD	ANSCHLUSS
005...006	MT-TU049	1	TUBO 1/4 F90 FD L=350	PIPE	TUYAU	ROHR
005...007	MT-CP250	1	COPIGLIA A R D.3 L=60	SPLIT PIN	GOUPILLE	SPLINT
005...008	MT-BO014	2	BOCCOLA D=13x8 L=24	BUSH	BOUCLE	BUCHSE
005...009	MT-DD205	1	DADO M8 UNI 5588/65	NUT	ECROU	MUTTER
005...010	MT-AM001	1	AMMORTIZZATORE A GAS	GAS SHOCK ABSORBER	RESSORT A GAZ	GASSTOSSDAEMPFER
005...011	MT-MA5002	1	MARTINETTO IDRAULICO APERTURA FLAP	FLAP SCREW JACK	VERIN HYDRAULIQUE	HEBEBOCK
005...012	MT-RC5016	1	NIPLES M-M G1/4 G1/4	NIPLES 1/4	NIPLES 1/4	NIPPEL 1/4
005...013	MT-RC012	1	ROSETTA A TENUTA 1/4"	WASHER	RONDELLE	SCHIBE
005...014	MT-BO008	2	BOCCOLA RINVIO RUBINETTO	VALVE TRANS. BUSH D.8	DOUILLE	BUCHSE
005...015	MT-DD208	1	DADO M16 UNI 5588/65	NUT	ECROU	MUTTER
005...016	MT-FR5001	1	FORCELLA PER CILINDRO FLAP	FORK	FOURCHE	GABEL
005...017	MT-SC5000	2	SUPPORTO CUSCINETTO PFT52 (COPPIA)	OVAL PAIR	COUPLE OVALE	OVALPAAR
005...018	MT-CS7001	2	CUSCINETTO SKF YAT205	BEARING	ROULEMENT	LAGER
005...019	MT-RO204	4	RONDELLA PIANA M8	WASHER	RONDELLE	SCHIBE
005...020	MT-RO255	4	RONDELLA SPACCATA DIAM. 8 UNI 1751	WASHER	RONDELLE	SCHIBE
005...021	MT-VB230	4	VITE CIL. BRUGOLA M8x16 UNI 5931	SCREW	VIS	SCHRAUBE
005...022	MT-ML004	1	MOLLA PER AFCF	SPRING	RESSORT	FEDER
005...023	MT-VP5006	1	POMELLO VPA/45 M10X70	KNOB	POMMEAU	KUGELGRIFF
005...024	MT-AL5021	1	ALBERO DI SOLLEVAMENTO FLAP	SHAFT	ARBRE	WELLE
005...025	MT-CH047	1	LINGUETTA 8x7x40 UNI6604-A	TONGUE	CLAVETTE	PASSFEDER
005...026	MT-LV5046	1	LEVA APERTURA FLAP	LEVER	LEVIER	HEBEL
005...027	MT-DD256	1	DADO AUTOBLOCCANTE M12	SELF-LOCKING NUT	ECROU DE SURETE M12	SICHERUNGSMUTTER
005...028	MT-VE269	1	VITE ESAGONALE M8x55 UNI 5737/77	HEXAGONAL SCREW	VIS	SECHSECKIGE SCHRAUBE
005...029	MT-VE306	1	VITE ESAGONALE M12x60 UNI5737/77	HEXAGONAL SCREW	VIS	SECHSECKIGE SCHRAUBE
005...030	MT-VE281	1	VITE ESAGONALE M10x20 UNI5737/77	HEXAGONAL-HEADED BOLT	VIS M10X20	SECHSECKIGE SCHRAUBE
005...031	MT-BO024	1	BOCCOLA LEVE SOLL. GRUPPO SPAZZ.	BUSH	BOUCLE	SCHRAUBE
005...032	MT-LV5051	1	LEVA SOLLEVAMENTO SPAZZOLA LATERALE	LEVER	LEVIER	HEBEL
005...033	MT-DD255	1	DADO AUTOBLOCCANTE M10	SELF-LOCKING NUT	ECROU DE SURETE	SICHERUNGSMUTTER
005...034	MT-LV5053	1	LEVA SOLLEVAMENTO SPAZZOLA SINISTRA	LEVER	LEVIER	HEBEL
005...035	MT-CH047	1	LINGUETTA 8x7x40 UNI6604-A	TONGUE	CLAVETTE	PASSFEDER
005...036	MT-VS5001	1	VITE SVASATA M8x20	COUNTERSUNK BOLT	VIS EVASEE	SENKSCHRAUBE
005...037	MT-VV5009	1	TCE BUTTON UNI7380 8X60 ZIN	SCREW	VIS	SCHRAUBE
005...038	MT-VE493	1	VITE ESAGONALE M12X90 ZINC	HEXAGONAL SCREW	VIS HEXAGONAL	SECHSECKIGE SCHRAUBE
005...039	MT-RO218	1	RONDELLA NORMALE DIAM. 12 UNI 6592/	WASHER	RONDELLE NORM. 12	SCHIBE
005...040	MT-RO204	1	RONDELLA PIANA M8	WASHER	RONDELLE	SCHIBE
005...041	MT-SU5063	1	ATTACCO SUPPORTO SPAZZOLA LATERALE	SUPPORT	SUPPORT	HALTERBURSTE VERBINDU
005...043	MT-CS2005	2	CUSCINETTO A SFERE CTK60042RS	BALL BEARING	ROULEMENT A BILLES	KUGELLAGER
005...044	MT-SU065	1	SUPPORTO CUSCINETTI STERZO	BEARING SUPPORT	SUPPORT	LAGERSTUETZE
005...045	MT-DD264	1	DADO AUTOBLOCCANTE M20 1/2	SELF-LOCKING NUT	ECROU DE SURETE	MUTTER
005...046	MT-RO218	1	RONDELLA NORMALE DIAM. 12 UNI 6592/	WASHER	RONDELLE NORM. 12	SCHIBE
005...047	MT-DD256	1	DADO AUTOBLOCCANTE M12	SELF-LOCKING NUT	ECROU DE SURETE M12	SICHERUNGSMUTTER
005...048	MT-DD255	2	DADO AUTOBLOCCANTE M10	SELF-LOCKING NUT	ECROU DE SURETE	SICHERUNGSMUTTER
005...049	MT-RO205	2	RONDELLA NORMALE DIAM. 10 UNI 6592/	WASHER	RONDELLE	SCHIBE
005...050	MT-SU5070	1	SUPPORTO MOTORE IDR.SPAZ.LATERALE S	MOTOR SUPPORT	SUPPORT MOTEUR	MOTOR HALTER
005...051	MT-RO302	1	RONDELLA SLARG.DIAM. 8x24 UNI 6592/	WASHER	RONDELLE	SCHIBE
005...052	MT-ML004	1	MOLLA PER AFCF	SPRING	RESSORT	FEDER
005...053	MT-RO302	1	RONDELLA SLARG.DIAM. 8x24 UNI 6592/	WASHER	RONDELLE	SCHIBE
005...054	MT-DD254	1	DADO AUTOBLOCCANTE M8	SELF-LOCKING NUT	ECROU DE SURETE	SICHERUNGSMUTTER
005...055	MT-VE287	2	VITE ESAGONALE M10x40 UNI 5737/77	HEXAGONAL SCREW	VIS HEXAGONAL	SECHSECKIGE SCHRAUBE
005...056	MT-MO5013	1	MOTORE IDRAULICO OMP 100	SIDE BRUSH HYDR.MOTOR	MOTEUR HYDRAUL.BR.LAT	MOTOR
005...057	MT-CH045	1	LINGUETTA 8x7x30 UNI 6604-A	TONGUE	CLAVETTE	PASSFEDER
005...058	MT-RC5053	2	RACCORDO RIDUZIONE M1/2 M3/8	FITTING	RACCORD	ANSCHLUSS
005...059	MT-RC016	2	ROSETTA A TENUTA G1/2	WASHER	RACCORD	SCHIBE
005...060	MT-TU043	1	TUBO 3/8 F90 F90(BASSA) L=900	HOSE 3/8	TUYAU 3/8 F90	ROHR
005...062	MT-TU044	1	TUBO 3/8 F90(BASSA) F90(BASSA) L=16	PIPE	TUYAU	ROHR
005...063	MT-DT5014	1	DISTANZIALE MOTORE SPAZZOLA LATERAL	SPACER	ENTRETOISE	BUCHSE
005...064	MT-VE262	4	VITE ESAGONALE M8x25 UNI 5137/77	SCREW	VIS	SECHSECKIGE SCHRAUBE
005...065	MT-RO204	4	RONDELLA PIANA M8	WASHER	RONDELLE	SCHIBE
005...066	MT-FL5018	1	FLANGIA SUPPORTO SPAZZOLA LATERALE	SIDE BRUSH FLANGE	FLANGE SUPP.BROSSE LA	FLANSCH
005...067	MT-SZ5002	1	SPAZZOLA LATERALE S48D	SIDE BRUSH	BROSSE LATERALE	BURSTE
005...068	MT-VI040	1	RONDELLA SPECIALE (ZINCATA)	WASHER	RONDELLE	SCHIBE
005...069	MT-RO255	1	RONDELLA SPACCATA DIAM. 8 UNI 1751	WASHER	RONDELLE	SCHIBE
005...070	MT-VE262	1	VITE ESAGONALE M8x25 UNI 5137/77	SCREW	VIS	SECHSECKIGE SCHRAUBE
005...071	MT-RO302	1	RONDELLA SLARG.DIAM. 8x24 UNI 6592/	WASHER	RONDELLE	SCHIBE
005...072	MT-DD254	1	DADO AUTOBLOCCANTE M8	SELF-LOCKING NUT	ECROU DE SURETE	SICHERUNGSMUTTER
005...073	MT-BO5050	1	BOCCOLA ATTACCO SPAZZ.LATERALE	BUSH	BOUCLE	BUCHSE

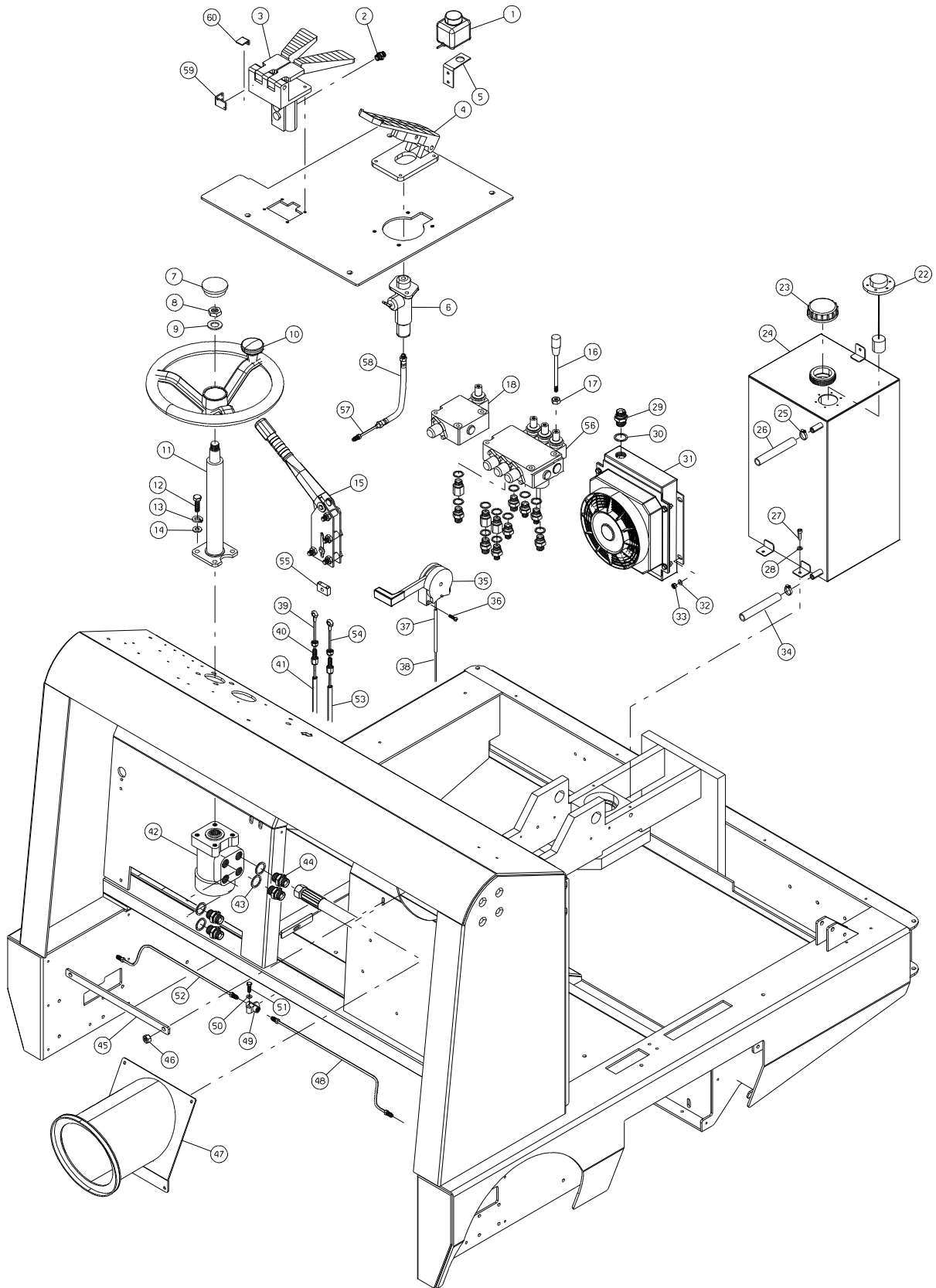


N.Position	Code Num	Qta	Descrizione	Description	Description	Bezeichnung
006...001	MT-TU055	1	TUBO 1/4 F90 F90 L=1850	PIPE	TUYAU	ROHR
006...002	MT-RC5016	2	NIPLES M-M G1/4 G1/4	NIPLES 1/4	NIPLES 1/4	NIPPEL 1/4
006...003	MT-RC012	2	ROSETTA A TENUTA 1/4"	WASHER	RONDELLE	SCHIBE
006...004	MT-MA5003	1	MARTINETTO IDRAULICO SPAZZOLA CENTR	HYDR.SCREW JACK	VERIN HYDR.BROSSE CEN	HEBEBOCK
006...005	MT-TU056	1	TUBO 1/4 F90 FD L=1700	PIPE	TUYAU	ROHR
006...006	MT-RO204	2	RONDELLA PIANA M8	WASHER	RONDELLE	SCHIBE
006...007	MT-BO033	1	BOCCOLA PEDALE SQUEEGEE	SQUEEGEE PEDAL BUSH	DOUILLE	PEDALBUCHSE
006...008	MT-VV5011	2	TCE BUTTON UNI7380 10X160 ZIN	SCREW	VIS	SCHRAUBE
006...009	MT-RO205	2	RONDELLA NORMALE DIAM. 10 UNI 6592/	WASHER	RONDELLE	SCHIBE
006...010	MT-RT5000	2	RUOTA PARACOLPI POSTERIORE	WHEEL	ROUE	RAD
006...011	MT-RO205	2	RONDELLA NORMALE DIAM. 10 UNI 6592/	WASHER	RONDELLE	SCHIBE
006...012	MT-DD255	2	DADO AUTOBLOCCANTE M10	SELF-LOCKING NUT	ECROU DE SURETE	SICHERUNGSMUTTER
006...013	MT-VE284	1	VITE ESAGONALE M10x60 UNI 5737/77	HEXAGONAL SCREW	VIS HEXAGONAL	SECHSECKIGE SCHRAUBE
006...014	MT-DD255	1	DADO AUTOBLOCCANTE M10	SELF-LOCKING NUT	ECROU DE SURETE	SICHERUNGSMUTTER
006...015	MT-RO205	1	RONDELLA NORMALE DIAM. 10 UNI 6592/	WASHER	RONDELLE	SCHIBE
006...016	MT-PE5029	1	PERNO REGOLAZIONE PRESSIONE SPAZZOL	PIN	PIVOT	BOLZEN
006...017	MT-VB231	2	VITE CIL. BRUGOLA M8x20 ZINCATA	CHEESE-HEADED SCREW	VIS	ZYLINDERSCHRAUBE
006...018	MT-RO204	2	RONDELLA PIANA M8	WASHER	RONDELLE	SCHIBE
006...019	MT-PT5041	1	PIASTRA DI APPOGGIO PERNO REGOLAZ.S	PLATE	PLAQUETTE	TELLER
006...020	MT-PT5082	1	LISTELLO LAMA POSTERIORE	REAR BLADE LISTEL	LISTEL LAME ARRIERE	RUECKMESSERSLEISTE
006...021	MT-BP5025	1	PARAPOLVERE POSTERIORE	REAR DUST RUBBER	GOMME ANTI-POUSSIERE	RUECKSTUBSCHUTZ
006...022	MT-VB221	13	VITE CIL. BRUGOLA M6x16 UNI 5931/77	SCREW	VIS	SCHRAUBE
006...023	MT-RO203	13	RONDELLA NORMALE DIAM. 6 UNI 6592/6	WASHER D6	RONDELLE	SCHIBE
006...024	MT-LM5094	1	LISTELLO FERMA GOMMA POSTERIORE	LISTEL	LISTEL	LEISTE
006...025	MT-RO204	3	RONDELLA PIANA M8	WASHER	RONDELLE	SCHIBE
006...026	MT-VB230	3	VITE CIL. BRUGOLA M8x16 UNI 5931	SCREW	VIS	SCHRAUBE
006...027	MT-PT5042	2	PIASTRA FERMA PARAPOLVERE LAT.	PLATE	PLAQUETTE	TELLER
006...028	MT-BP5022	1	MINIGONNA PARAPOLVERE SINISTRA	SIDE BUMPER RUBBER	CAOUTCHOUC	PUFFER
006...029	MT-PT5038	2	PIASTRINA FERMA PARAPOLVERE LATERAL	SIDE BUMPER PLATE	PLAQUE ANTIPOUSSIERE	PLATTE
006...030	MT-VB221	4	VITE CIL. BRUGOLA M6x16 UNI 5931/77	SCREW	VIS	SCHRAUBE
006...031	MT-VS221	6	VITE SVASATA A CROCE M6x12 UNI 7688	SCREW	VIS	SCHRAUBE
006...032	MT-LM5030	2	LISTELLO FERMA GOMMA PARAPOLVERE	BLADE	LISTEL	LEISTE
006...033	MT-BP5026	1	MINIGONNA PARAPOLVERE DESTRA	SIDE PANEL	GARDE-BOUE	PUFFER
006...034	MT-LM5029	2	LISTELLO SUPPORTO GOMMA PARAPOLVERE	BLADE	LISTEL	LEISTE
006...035	MT-VS220	6	VITE TESTA SVASATA M6x10	SCREW	VIS	SCHRAUBE
006...036	MT-DD254	2	DADO AUTOBLOCCANTE M8	SELF-LOCKING NUT	ECROU DE SURETE	SICHERUNGSMUTTER
006...037	MT-RO204	2	RONDELLA PIANA M8	WASHER	RONDELLE	SCHIBE
006...038	MT-PT5039	1	PIASTRA DI SUPPORTO SPAZZOLA CENTRA	CEN.BR.SUPPORT PLATE	PLAQUE SUPP.BR.CEN.	PLATTE
006...039	MT-SU5066	1	SUPPORTO SPAZZOLA CENTRALE LATO FOL	BRUSH SUPPORT	BROSSE SUPPORT	BURSTERHALTER
006...040	MT-VV5007	1	TCE BUTTON UNI7380 10X40 ZIN	SCREW	VIS	SCHRAUBE
006...041	MT-RO256	1	RONDELLA SPACCATA DIAM.10 UNI 1751	WASHER	RONDELLE	SCHIBE
006...042	MT-CS031	2	CUSCINETTO SY 25 TF	BEARING	ROULEMENT	LAGER
006...043	MT-CH5008	1	LINGUETTA 8x7x60	KEY	CLAVETTE	PASSFEDER
006...044	MT-AL5019	1	ALBERO DI SOLLEVAMENTO SPAZZOLA CEN	CEN.BR.RAISING SHAFT	ARBRE Brosse CENTRAL	WELLE
006...045	MT-DD254	1	DADO AUTOBLOCCANTE M8	SELF-LOCKING NUT	ECROU DE SURETE	SICHERUNGSMUTTER
006...046	MT-LV5052	1	LEVA DI SOLLEVAMENTO SPAZZOLA CENTR	MAIN BRUSH LIFTING LE	LEVIER LEVAGE Brosse	HEBEL
006...047	MT-VB233	1	VITE CIL. BRUGOLA M8x30 UNI 5931	SCREW	VIS	SCHRAUBE
006...048	MT-VS5001	2	VITE SVASATA M8x20	COUNTERSUNK BOLT	VIS EVASEE	SENKSCRAUBE
006...049	MT-RO204	4	RONDELLA PIANA M8	WASHER	RONDELLE	SCHIBE
006...050	MT-RO255	2	RONDELLA SPACCATA DIAM. 8 UNI 1751	WASHER	RONDELLE	SCHIBE
006...051	MT-VE287	2	VITE ESAGONALE M10x40 UNI 5737/77	HEXAGONAL SCREW	VIS HEXAGONAL	SECHSECKIGE SCHRAUBE
006...052	MT-RO205	4	RONDELLA NORMALE DIAM. 10 UNI 6592/	WASHER	RONDELLE	SCHIBE
006...053	MT-RO256	4	RONDELLA SPACCATA DIAM.10 UNI 1751	WASHER	RONDELLE	SCHIBE
006...054	MT-DD206	4	DADO M10 UNI 5588/65	NUT	ECROU	MUTTER
006...055	MT-DD255	2	DADO AUTOBLOCCANTE M10	SELF-LOCKING NUT	ECROU DE SURETE	SICHERUNGSMUTTER
006...056	MT-RO256	2	RONDELLA SPACCATA DIAM.10 UNI 1751	WASHER	RONDELLE	SCHIBE
006...057	MT-RO205	2	RONDELLA NORMALE DIAM. 10 UNI 6592/	WASHER	RONDELLE	SCHIBE
006...058	MT-SU5065	1	SUPPORTO MOTORE IDRAUL. SPAZZOLA CE	MAIN BRUSH MOTOR SUPP	SUPPORT MOTEUR Brosse	STUETZE
006...059	MT-CH045	1	LINGUETTA 8x7x30 UNI 6604-A	TONGUE	CLAVETTE	PASSFEDER
006...060	MT-MO5014	1	MOTORE IDRAULICO OMP 50	CENTRAL BRUSH HYDRAUL	MOT.HYDRAUL.BROSSE CE	MOTOR
006...061	MT-RO205	2	RONDELLA NORMALE DIAM. 10 UNI 6592/	WASHER	RONDELLE	SCHIBE
006...062	MT-VB5002	2	VITE CILINDRICA BRUGOLA M10x40	CHEESE-HEADED SCREW	VIS	ZYLINDERSCHRAUBE
006...063	MT-RC010	3	ROSETTA A TENUTA G3/8	WASHER	RONDELLE	SCHIBE
006...064	MT-MI033	3	NIPLES M-M G3/8 G3/8	NIPPLE	NIPLES	NIPPEL
006...065	MT-TU036	1	TUBO 1/2 FD F90 L=640	PIPE	TUYAU	ROHR
006...066	MT-TU058	1	TUBO 1/4 F90 F90 L=1550	PIPE	TUYAU	ROHR
006...067	MT-TU035	1	TUBO 1/2 FD F90 L=1500	PIPE	TUYAU	ROHR
006...068	MT-FL5019	1	FLANGIA DI TRASCINAMENTO SPAZZOLA C	CEN.BR.DRIVING SHAFT	FLANGE Brosse CENTRAL	FLANSCH
006...069	MT-PE5025	4	PERNO DI TRASCINAMENTO SPAZZOLA CEN	PIN	PIVOT	BOLZEN
006...070	MT-SZ5003	1	SPAZZOLA CENTRALE S48D	MAIN BRUSH	BROSSE CENTRALE	HAUPTBUERSTE
006...071	MT-PE5023	1	PERNO PER FLANGIA SUPP.SPAZ.CENTRAL	FLANGE PIN	PIVOT FLANGE	BOLZEN
006...072	MT-CS014	2	CUSCINETTO A SFERE 6206 2RS	BALL BEARING	ROULEMENT A BILLES	KUGELLAGER
006...073	MT-FL5020	1	FLANGIA DI SUPPORTO SPAZZOLA CENTRA	CEN.BR.SUPPORT SHAFT	FLANGE SUPPORT BR.CEN	FLANSCH
006...074	MT-DT5018	1	DISTANZIALE CUSCINETTI FLANGIA SUPP	BEARING SPACER	ENTRETOISE ROULEMENT	DISTANZSTUECK
006...075	MT-GR5057	1	GUARNIZIONE MOUSSE ADESIVA 30x30 L=	GASKET	GARNITURE	SELBSTKLEBENDE DICHTU
006...076	MT-CH5003	1	LINGUETTA 8X7X80	TONGUE 8X7X80	CLAVETTE 8X7X80	PASSFEDER 8X7X80





N.Position	Code Num	Qta	Descrizione	Description	Description	Bezeichnung
007...001	MT-IR017	1	PROLUNGA PER INGRASSATORE	EXTENSION	RALLONGE	VERLAENGERUNG
007...002	MT-DD5009	1	DADO AUTOBLOCCANTE BASSO M22x1,5	NUT	ECROU DE SURETE	SICHERUNGSMUTTER
007...003	MT-VI5009	1	RONDELLA SPECIALE De80 Di22,5 S12	WASHER	RONDELLE	SCHEIBE
007...004	MT-CS5005	1	CUSCINETTO A RULLI CONICO 32010 X/Q	BEARING	ROULEMENT	KUGELLAGER
007...005	MT-PE5031	1	PERNO POST.MARTINETTO CASSONE L170	REAR PIN	PIVOT ARRIERE	RUECKSTIFT
007...006	MT-DD267	1	GHIERA AUTOBLOCCANTE M25x1.5	SELF-LOCKING RING NUT	EMBOUT	GITTER
007...007	MT-TU053	1	TUBO 1/4 F45 FD L=1340	PIPE	TUYAU	ROHR
007...008	MT-TU054	1	TUBO 1/4 FD FD L=1100	PIPE	TUYAU	ROHR
007...009	MT-RC5016	2	NIPLES M-M G1/4 G1/4	NIPLES 1/4	NIPLES 1/4	NIPPEL 1/4
007...010	MT-RC012	2	ROSETTA A TENUTA 1/4"	WASHER	RONDELLE	SCHEIBE
007...011	MT-VE5003	2	VITE ESAGONALE M20x1,5 x70	SCREW	VIS	SCHRAUBE
007...012	MT-DT061	3	DISTANZIALE D=30X20 L=9	SPACER	ENTRETOISE	ABSTANDSTUECK
007...013	MT-MA5004	1	MARTINETTO IDRAULICO STERZO	STEERING SCREW JACK	VERIN HYDR.DIRECTION	HEBEBOCK
007...014	MT-TU038	1	TUBO 1/2 F90 FD L=1430 C/PROTEZIONE	PIPE	TUYAU	ROHR
007...015	MT-TU039	1	TUBO 1/2 FD F90 L=1400 C/PROTEZIONE	PIPE	TUYAU	ROHR
007...016	MT-RC5017	2	GIUNTO GIR. DIRITTO 1/2" UBF38	ADAPTER	ADAPTATEUR	ANSCHLUSS
007...017	MT-RC064	2	NIPLES M/M G1/2 G1/2	NIPPLE	NIPLES M/M G1/2	NIPPEL
007...018	MT-RO5002	2	RONDELLA RAME 1/2	COPPER WASHER	RONDELLE CUIVRE	KOPFFERSCHEIBE
007...019	MT-IR001	1	INGRASSATORE C/CHIUS. A SFERA M6 UNI	GREASER	GRAISSEUR	FETTBUECHSE
007...020	MT-CS053	1	CUSCINETTO A RULLI CONICI SKF 33210	BEARING	ROULEMENT	LAGER
007...021	MT-MO5015	1	MOTORE IDRAULICO OMTW 315	HYDR.MOTOR OMTW 315	MOTEUR HYD.OMTW315	MOTOR
007...022	MT-CH5009	1	LINGUETTA 8x12x70	KEY	CLAVETTE	PASSFEDER
007...023	MT-DD264	1	DADO AUTOBLOCCANTE M20 1/2	SELF-LOCKING NUT	ECROU DE SURETE	MUTTER
007...024	MT-SU5055	1	SUPPORTO MOTORE TRAZIONE	DRIVE MOTOR SUPPORT	SUPPORT MOT.TRACTION	HALTER MOTOR
007...025	MT-RT5022	1	RUOTA COMPLETA STERZ. 16X6X8 POST.S	DRIVING WHEEL	ROUE MOTRICE	LEITRAD
007...028	MT-RP5025	1	MOZZO RUOTA TRAZIONE S48	TRACTION WHEEL HUB	MOYEU ROUE TRACTION	ANTRIEBSRADNABE
007...029	MT-VI5001	1	RONDELLA SPECIALE De80 Di12,5 SP10	WASHER	RONDELLE	SCHEIBE
007...030	MT-RO257	1	RONDELLA SPACCATO D.12 UNI 1751	WASHER	RONDELLE	SCHEIBE
007...031	MT-VV5010	1	TCE BUTTON UNI7380 12X40 ZIN	SCREW	VIS	SCHRAUBE
007...032	MT-VG021	1	GRANO M6x10 UNI 5927/67	DOWEL	GRAIN	DUEBEL
007...033	MT-MV5054	2	MORSETTO PER FUNE UBF48	TERMINAL	BORNE	KLEMMME
007...034	MT-DD255	1	DADO AUTOBLOCCANTE M10	SELF-LOCKING NUT	ECROU DE SURETE	SICHERUNGSMUTTER
007...035	MT-LV5047	2	LEVA FRENO DI STAZIONAMENTO	PARKING BRAKE LEVER	LEVIER FREIN STATION.	HEBEL
007...036	MT-BO5050	2	BOCCOLA ATTACCO SPAZZ.LATERALE	BUSH	BOUCLE	BUCHSE
007...037	MT-VS5001	2	VITE SVASATA M8x20	COUNTERSUNK BOLT	VIS EVASEE	SENKSCHRAUBE
007...038	MT-MA5012	1	CILINDRO SOLLEVAMENTO CASSONE	JACK	VERIN	HEBEBOCK
007...039	MT-RC010	2	ROSETTA A TENUTA G3/8	WASHER	RONDELLE	SCHEIBE
007...040	MT-RC5054	2	RACCORDO RIDUZIONE M1/4 M3/8	FITTING	RACCORD	ANSCHLUSS
007...041	MT-TU070	1	TUBO 1/4 F90 F90 L=460	PIPE	TUYAU	ROHR
007...042	MT-PE5030	1	PERNO ANT.MARTINETTO CASSONE L100 D	FRONT PIN	PIVOT AVANT	VORDERSTIFT
007...043	MT-DD267	1	GHIERA AUTOBLOCCANTE M25x1.5	SELF-LOCKING RING NUT	EMBOUT	GITTER
007...044	MT-VE265	8	VITE ESAGONALE M8x40 UNI 5737/77	HEXAGONAL-HEADED BOLT	VIS	SECHSECKIGE SCHRAUBE
007...045	MT-RO204	8	RONDELLA PIANA M8	WASHER	RONDELLE	SCHEIBE
007...046	MT-LM5081	2	LAMIERA SUPPORTO MOZZO RUOTA ANTERI	SHEET	TOLE	BLECH
007...047	MT-FN5004	2	CILINDRETTO FRENI S48D (F261)	BRAKE CYLINDER	CYLINDRE FREINS	ZYLINDERBREMSE
007...048	MT-FN5003	1	TAMBURO FRENO SINISTRO	LH BRAKE DRUM	TAMBOUR FREIN GAUCHE	TROMMELBREMSE
007...049	MT-FN5005	2	COPPIA GANASCE FRENI ANT. COMEX TX0	BRAKE SHOE PAIR	COUPLE ECLISSE FREIN	KIEFERBREMSE
007...050	MT-RT5023	2	RUOTA COMPLETA ANTERIORE 4.00-8 ANT	FRONT WHEEL	ROUE AVANT	VORDERRAD
007...051	MT-TU071	1	TUBO 1/4 F90 F90 L=540	PIPE	TUYAU	ROHR
007...052	MT-DD220	8	DADO 12 MB SFERICO ZINCATO (A CULD'	NUT	ECROU	SICHERUNGSMUTTER
007...053	MT-ML009	2	MOLLA De=11/Df=1,3/Lm=38/Lt=55 T.2	SPRING	RESSORT	FEDER
007...054	MT-FN5002	1	TAMBURO FRENO DESTRO	RH BRAKE DRUM	TAMBOUR FREIN DROIT	TROMMELBREMSE

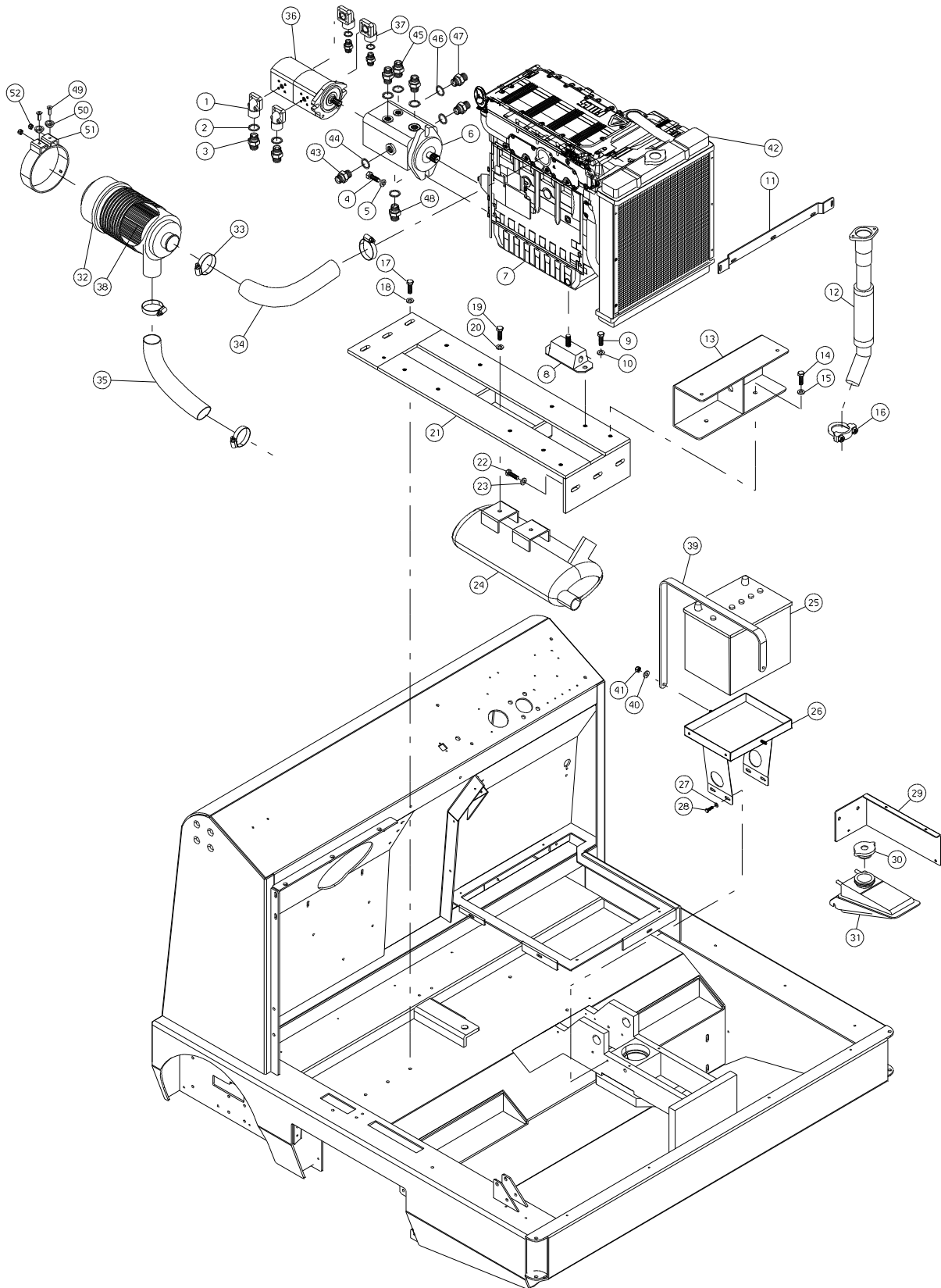




N.Position	Code Num	Qta	Descrizione	Description	Description	Bezeichnung
008...001	MT-SB5006	1	VASCHETTA OLIO FRENI C/TAPPO	BRAKE OIL TANK	BAC HUILE FREINS	WANNE FUER DAS BREMSE
008...002	MT-RC5016	4	NIPLES M-M G1/4 G1/4	NIPLES 1/4	NIPLES 1/4	NIPPEL 1/4
008...003	MT-MI5029	1	COMANDO IDRAULICO AVANZAMENTO	HYDRAULIC FEED DEVICE	COMMANDE AVANCEMENT H	HYDRAULISCHER VORSCHU
008...004	MT-LV5049	1	PEDALE FRENO IDRAULICO	HYDR.BRAKE PEDAL	PEDAL FREIN HYDRAULIQ	PEDALBREMSE
008...005	MT-SU5097	1	SUPPORTO VASCHETTA OLIO FRENI	SUPPORT	SUPPORT	TANKSTUETZE
008...006	MT-PO5001	1	POMPA FRENI S48D	BRAKE PUMP	POMPE FREINS	BREMSEPUMPE
008...007	MT-MI067	1	TAPPO PER VOLANTE CON CLACSON	CAP	BOUCHON	VERSCHLUSS
008...008	MT-DD5004	1	DADO BASSO M18x1,5	NUT	ECROU	MUTTER
008...009	MT-RO209	1	RONDELLA NORMALE DIAM. 20 UNI 6592/	WASHER	RONDELLE	SCHEIBE
008...010	MT-MI071	1	VOLANTE D.320 C/POM. C/M 40.19	STEERING WHEEL	VOLANT	LENKRAD
008...011	MT-MC5006	1	COLONNETTA STERZO D.38 L.200	STEERING COLUMN	BARRE DE DIRECTION	LENKRADSAEULE
008...012	MT-VV250	4	VITE SVASATA A BRUGOLA M10x30 UNI59	COUNTERSUNK SCREW	VIS	SENKSCHRAUBE
008...013	MT-RO256	4	RONDELLA SPACCATA DIAM.10 UNI 1751	WASHER	RONDELLE	SCHEIBE
008...014	MT-RO205	4	RONDELLA NORMALE DIAM. 10 UNI 6592/	WASHER	RONDELLE	SCHEIBE
008...015	MT-FN003	1	LEVA COMANDO SPAZZ.E FRENO DI STAZI	LEVER	LEVIER	HEBEL
008...016	MT-ST5015	4	ASTA LEVA DISTRIBUTORE M10X150	FLASK	HAMPE	STANGE
008...017	MT-DD206	4	DADO M10 UNI 5588/65	NUT	ECROU	MUTTER
008...018	MT-DB5005	1	DISTRIBUTORE 1 LEVA UBF48	1-LEVER DISTRIBUTOR	DISTRIBUTEUR UN LEVIE	VERTEILER 1 HEBEL
008...022	MT-GL5000	1	GALLEGGIANTE SPIA LIVELLO GASOLIO	GASOIL FLOAT LEVEL	FLOTTEUR NIVEAU GASOI	SCHWIMMER
008...023	MT-TA023	1	TAPPO GASOLIO	PLUG	BOUCHON	ABLASSTOPFEN
008...024	MT-SB5004	1	SERBATOIO GASOLIO	GASOIL TANK	RESERVOIR GASOIL	BEHALTER
008...025	MT-FS5005	2	FASCETTA 10/16	CLAMP	BANDE	SCHELLE
008...026	MT-TB5020	1	TUBO NERO TELATO X CARBURANTE 6x13	PIPE	TUYAU	ROHR
008...027	MT-VB221	3	VITE CIL. BRUGOLA M6x16 UNI 5931/77	SCREW	VIS	SCHRAUBE
008...028	MT-RO254	3	RONDELLA SPACCATA DIAM. 6 UNI 1751	WASHER	RONDELLE	SCHEIBE
008...029	MT-RC5098	1	RACCORDO RIDUZIONE M 1-M 3/4	FITTING	RACCORD	ANSCHLUSS
008...030	MT-RO5021	1	RONDELLA IN RAME 1"	COPPER WASHER	RONDELLE CUIVRE	BUCHSE AUS KOPFER
008...031	MT-PW5013	1	SCAMBIATORE PER OLIO UBF48	OIL EXCHANGER	HUILE ECHANGEUR	OELAUSTAUSCHER
008...032	MT-RO204	4	RONDELLA PIANA M8	WASHER	RONDELLE	SCHEIBE
008...033	MT-DD254	4	DADO AUTOBLOCCANTE M8	SELF-LOCKING NUT	ECROU DE SURETE	SICHERUNGSMUTTER
008...034	MT-TB5020	1	TUBO NERO TELATO X CARBURANTE 6x13	PIPE	TUYAU	ROHR
008...035	MT-LV5059	1	LEVA ACCELERATORE	GAS LEVER	LEVIER ACCELERATEUR	GAS HEBEL
008...036	MT-VS222	2	VITE SVASATA A CROCE M6x16 UNI 7688	COUNTERSUNK SCREW	VIS	SENKSCHRAUBE
008...037	MT-MI5106	1	GUAINA 4x8 L=2400 (ACCELERATORE UBF	SHEATH	GAINE	MANTEL
008...038	MT-MI5109	1	CAVO ACCELERATORE UBF48 D=2,5 L=256	CABLE	CABLE	KABEL
008...039	MT-MI5108	1	CAVO FRENO DX UBF48 D=3 L=1350	CABLE	CABLE	KABEL
008...040	MT-MI5004	2	REGOLATORE FILO FRENO M8	BRAKE WIRE REGULATOR	REG.FIL FREIN	REGLER
008...041	MT-MI5105	1	GUAINA 4x8 L=1050 (FRENO DX UBF48)	SHEATH	GAINE	MANTEL
008...042	MT-AI5005	1	IDROGUIDA	POWER STEERING	SERVODIRECTION	HILFSKRAFTLENKUNG
008...043	MT-RO5002	2	RONDELLA RAME 1/2	COPPER WASHER	RONDELLE CUIVRE	KOPFERSCHEIBE
008...044	MT-RC5053	2	RACCORDO RIDUZIONE M1/2 M3/8	FITTING	RACCORD	ANSCHLUSS
008...045	MT-PT5097	1	PIATTO SOSTEGNO TUBI IDRAULICI UBF	PLATE	TOLE	PLATTE
008...046	MT-DD455	2	DADO AUTOBLOCCANTE M10 INOX	SELFLOCKING NUT	ECROU DE SURETE	SICHERUNGSMUTTER
008...047	MT-TP5066	1	CONVOGLIATORE ARIA UBF 48D	AIR CONVEYOR	CONVOYEUR AIR	LUFTFOERDERER
008...048	MT-TB5021	1	TUBO IN RAME FRENO SX UBF48	COPPER PIPE	TUYAU CUIVRE	KOPFERROHR
008...049	MT-RC2502	1	RACCORDO 3 VIE TX025	3-WAY FITTING	RACCORD	ANSCHLUSS
008...050	MT-RO253	1	RONDELLA SPACCATA D5 UNI 1751	WASHER	RONDELLE	SCHEIBE
008...051	MT-VE225	1	VITE ESAGONALE M5X20 UNI 5737-77	HEXAGONAL SCREW	VIS HEXAGONAL	SECHSECKIGE SCHRAUBE
008...052	MT-TB5022	1	TUBO IN RAME FRENO DX UBF48	COPPER PIPE	TUYAU CUIVRE	KOPFERROHR
008...053	MT-MI5104	1	GUAINA 4x8 L=1340 (FRENO SX UBF48)	SHEATH	GAINE	MANTEL
008...054	MT-MI5107	1	CAVO FRENO SX UBF48 D=3 L=1640	LEFT BRAKE CABLE	CABLE FREIN GAUCHE	LINKSBREMSEKABEL
008...055	MT-MV5020	1	BLOCCETTO FERMA CAVI FRENO A MANO	CABLES STOPPER	ARRET CABLES	KABELNFESTSTELLER
008...056	MT-DB5006	1	DISTRIBUTORE 3 LEVE UBF48	3-LEVER DISTRIBUTOR	DISTRIBUTEUR 3 LEVIER	3-HEBELSVERTEILER
008...057	MT-TB5023	1	TUBO IN RAME CENTRALE X FRENI UBF48	COPPER PIPE	TUYAU CUIVRE	KOPFERROHR
008...058	MT-TU5090	1	TUBO FRENO 29X500X17 UBF48	BRAKE PIPE	TUYAU FREIN	BREMSENROHR
008...059	MT-LM5236	1	LAMIERINO SUPPORTO MICRO	SHEET	PETIT TOLE	BLECHLEIN
008...060	MT-LM5235	1	LAMIERINO SPINGIMICRO	SHEET	PETIT TOLE	BLECHLEIN

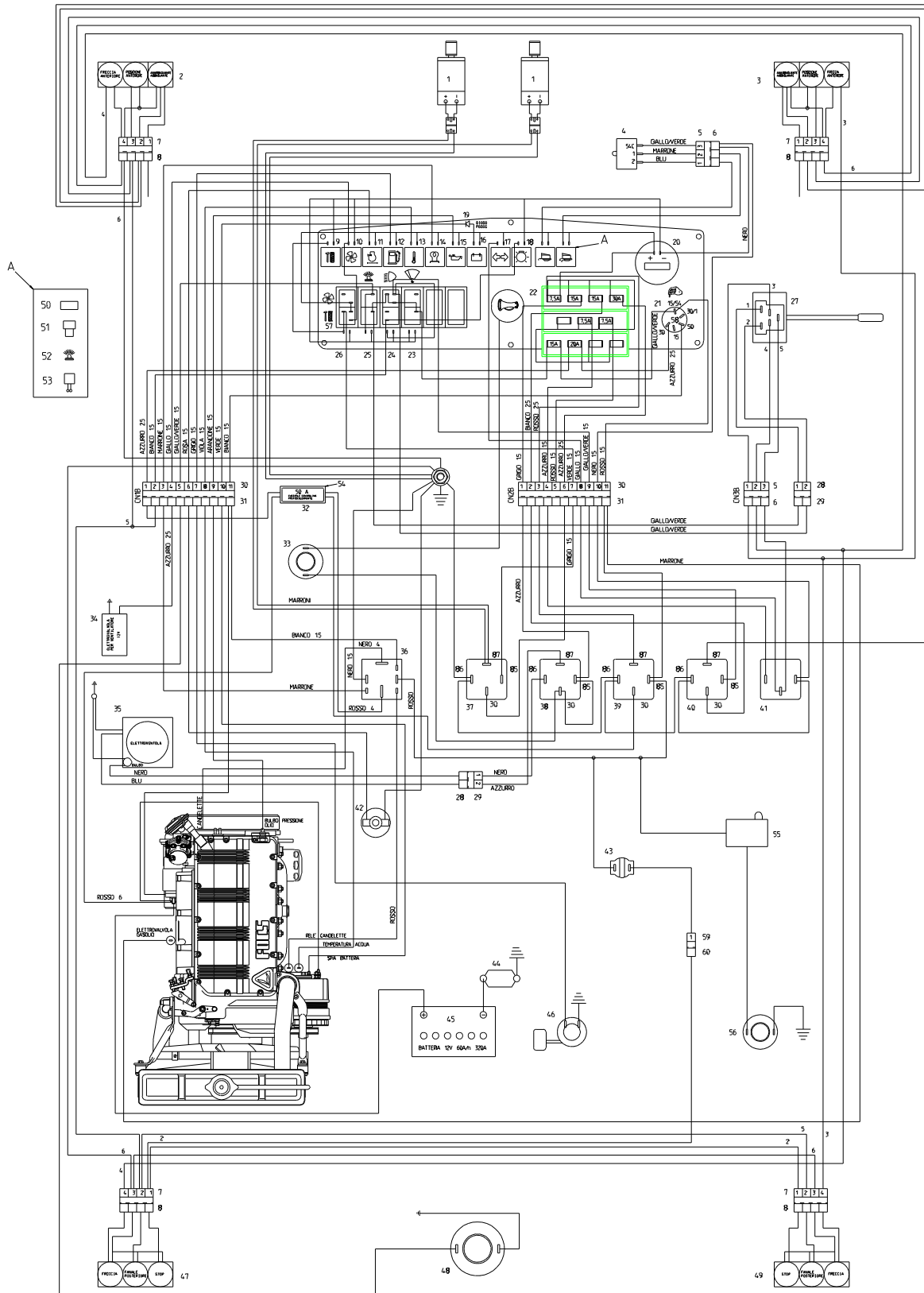


N.Position	Code Num	Qta	Descrizione	Description	Description	Bezeichnung
009...001	MT-LM5173	1	LAMIERA CONVOGLIATORE MEDIO UBF48	MEDIUM CONVEYOR SHEET	TOLE CONVOYEUR MOYEN	MITTELFOERDERERSBLECH
009...002	MT-VB221	6	VITE CIL. BRUGOLA M6x16 UNI 5931/77	SCREW	VIS	SCHRAUBE
009...003	MT-LM5174	1	LAMIERA CONVOGLIATORE PICCOLO UBF48	LITTLE CONVEYOR SHEET	TOLE CONVOYEUR PETIT	KLEINFOERDERERSBLECH
009...004	MT-VE242	5	VITE ESAGONALE M6x12 UNI 5737/77	SCREW	VIS	SCHRAUBE
009...005	MT-DD5009	1	DADO AUTOBLOCCANTE BASSO M22x1,5	NUT	ECROU DE SURETE	SICHERUNGSMUTTER
009...006	MT-FU5002	1	VENTOLA ASPIRAZIONE S48D	FAN	ELICE	WEDEL
009...007	MT-CH5002	1	LINGUETTA 8x7x25	TONGUE	CLAVETTE	PASSFEDER
009...008	MT-PE5024	1	PERNO VENTOLA ASPIRAZIONE	FAN PIN	PIVOT ELICE	BOLZEN
009...009	MT-CS015	2	CUSCINETTO A SFERE 6304 2RS	BALL BEARING	ROULEMENT A BILLES	KUGELLAGER
009...010	MT-DT5015	1	DISTANZIALE CUSCINETTI PERNO VENTOL	SPACER	ENTRETOISE	BUCHSE
009...011	MT-SU5062	1	SUPPORTO ALBERO VENTILATORE	SUPPORT	SUPPORT ARBRE ELICE	HALTER
009...012	MT-MO5017	1	MOTORE IDRAULICO OMM 20	HYDR.MOTOR OMM 20	MOTEUR HYDRAULIQUE	MOTOR
009...013	MT-SU5060	1	SUPPORTO GRUPPO VENTOLA	FAN SUPPORT	SUPPORT GROUPE ELICE	HALTER
009...014	MT-RO5022	4	RONDELLA SLARGATA D.8x16	WASHER	RONDELLE	SCHEIBE
009...015	MT-DD254	4	DADO AUTOBLOCCANTE M8	SELF-LOCKING NUT	ECROU DE SURETE	SICHERUNGSMUTTER
009...016	MT-VB240	2	VITE CIL. BRUGOLA M10x20 UNI 5931	SCREW	VIS	SCHRAUBE
009...017	MT-VB241	1	VITE CIL. BRUGOLA M10x25 UNI 5931	CHEESE-HEADED SCREW	VIS	ZYLINDERSCHRAUBE
009...018	MT-DD206	1	DADO M10 UNI 5588/65	NUT	ECROU	MUTTER
009...019	MT-SU5061	1	SUPPORTO MOTORE VENTOLA	MOTOR FAN SUPPORT	SUPPORT MOTEUR ELICE	HALTER
009...020	MT-PP5025	1	PULEGGIA MOTORE IDRAULICO ASPIRAZIO	MOTOR PULLEY	POULIE MOTEUR HYDR.	RIEMENSCHIEBE
009...021	MT-CI5000	2	CINGHIA Z 32	BELT Z 32	COURROIE Z 32	RIEMEN
009...022	MT-PP5026	1	PULEGGIA ALBERO ASPIRAZIONE	PULLEY	POULIE ARBRE ASP.	RIEMENSCHIEBE
009...023	MT-DD264	1	DADO AUTOBLOCCANTE M20 1/2	SELF-LOCKING NUT	ECROU DE SURETE	MUTTER
009...024	MT-LM5172	1	LAMIERA CONVOGLIATORE GRANDE UBF48	BIG CONVEYOR SHEET	TOLE CONVOYEUR GRAND	GROSSFOERDERERSBLECH
009...025	MT-VB221	12	VITE CIL. BRUGOLA M6x16 UNI 5931/77	SCREW	VIS	SCHRAUBE
009...026	MT-RO203	12	RONDELLA NORMALE DIAM. 6 UNI 6592/6	WASHER D6	RONDELLE	SCHEIBE
009...027	MT-CO5014	1	COPERCHIO SERBATOIO OLIO IDR. UBF48	CAP	COUVERCLE	VERSCHLUSS
009...028	MT-GR5051	1	GUARNIZIONE SERBATIO OLIO S48D	GASKET	GARNITURE	DICHTUNG
009...029	MT-SB5005	1	SERBATOIO OLIO IDRAULICO UBF 48D	HYDRAULIC OIL TANK	RESERVOIR HUILE HYDRA	HYDRAULIKOELSTANK
009...030	MT-FT5012	3	FILTRO OLIO IDRAULICO	FILTER	FILTRE	FILTER
009...031	MT-SU5059	1	SUPPORTO SERBATOIO IDRAULICO	TANK SUPPORT	SUPPORT RESERVOIR	TANKSSTUETZE
009...032	MT-VB231	4	VITE CIL. BRUGOLA M8x20 ZINCATA	CHEESE-HEADED SCREW	VIS	ZYLINDERSCHRAUBE
009...033	MT-PT5087	1	PIASTRA PBM 6/160 (1/2)	PLATE	PLAQUE	PLATTE
009...034	MT-SU5194	1	SUPPORTO VALVOLA UBF48	VALVE SUPPORT	SUPPORT SOUPAGE	VENTILSSTUETZE
009...035	MT-VB231	2	VITE CIL. BRUGOLA M8x20 ZINCATA	CHEESE-HEADED SCREW	VIS	ZYLINDERSCHRAUBE
009...036	MT-VV240	2	VITE SVASATA A BRUGOLA M8x16 UNI593	COUNTERSUNK SCREW	VIS	SENKSCHRAUBE
009...037	MT-VO5006	1	VALVOLA PRIORITARIA VPR/3/EP 38/V	VALVE	SOUPAGE	VENTIL
009...038	MT-RO454	2	RONDELLA SPACCATA DIAM. 6 UNI 1751	WASHER	RONDELLE	SCHEIBE
009...039	MT-VB224	2	VITE CIL.BRUGOLA M6x55 UNI5931/77	CHEESE-HEADED SCREW	VIS	ZYLINDERSCHRAUBE
009...040	MT-VB231	2	VITE CIL. BRUGOLA M8x20 ZINCATA	CHEESE-HEADED SCREW	VIS	ZYLINDERSCHRAUBE
009...041	MT-RO455	2	RONDELLA SPACCATA DIAM. 8 UNI 1751	WASHER	RONDELLE	SCHEIBE
009...042	MT-VB230	2	VITE CIL. BRUGOLA M8x16 UNI 5931	SCREW	VIS	SCHRAUBE
009...043	MT-RO455	2	RONDELLA SPACCATA DIAM. 8 UNI 1751	WASHER	RONDELLE	SCHEIBE
009...044	MT-SU5015	1	SUPPORTO RACCORDO TUBI ARRIVO OLIO	FITTING SUPPORT	SUPPORT RACCORD	ANSCHLUSSSTUETZE
009...045	MT-RC5000	1	RACCORDO ARRIVI TUBI OLIO	PIPE OIL UNION	RACCORD	ANSCHLUSS
009...046	MT-RC064	4	NIPLES M/M G1/2 G1/2	NIPPLE	NIPLES M/M G1/2	NIPPEL
009...047	MT-RO5002	4	RONDELLA RAME 1/2	COPPER WASHER	RONDELLE CUIVRE	KOPFERSCHIEBE
009...048	MT-RC010	3	ROSETTA A TENUTA G3/8	WASHER	RONDELLE	SCHEIBE
009...049	MT-MI033	3	NIPLES M-M G3/8 G3/8	NIPPLE	NIPLES	NIPPEL
009...050	MT-TA5000	1	TAPPO 3/4 G SERBATOIO OLIO	OIL TANK PLUG	BOUCHON	STOPFEN
009...051	MT-CH020	1	LINGUETTA 6x6x25 UNI6604-A	TONGUE	CLAVETTE 6X6X25	PASSFEDER
009...052	MT-MV5004	1	ASTICELLA LIVELLO OLIO	OIL MEASURING STICK	JAUGE NIVEAU HUILE	STANGE
009...053	MT-VO5014	1	VALVOLA 4WE 6 HA6X/SG12N9K4/V	VALVE	SOUPAGE	VENTIL
009...054	MT-RO214	1	RONDELLA FISS.PULEG.DI=6,6 De=31,5	WASHER	RONDELLE	SCHEIBE
009...055	MT-VB220	1	VITE CIL.BRUGOLA M6x20 UNI 5931/77	CHEESE-HEADED SCREW	VIS	SCHRAUBE



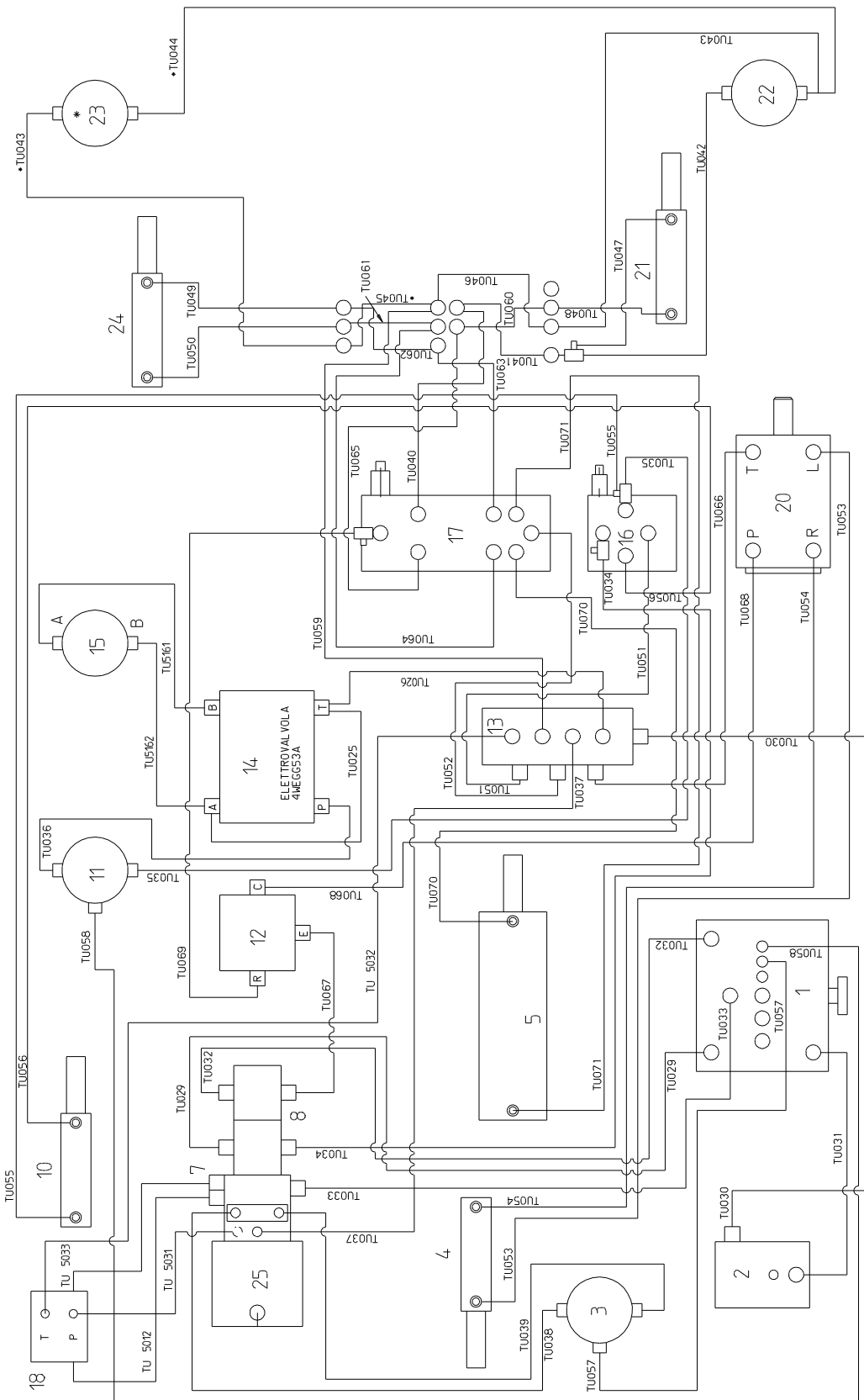


N.Position	Code Num	Qta	Descrizione	Description	Description	Bezeichnung
010...001	MT-RC5090	2	RACCORDO A GOMITO RGBA 40-3/4	FITTING	RACCORD	ANSCHLUSS
010...002	MT-RO5002	3	RONDELLA RAME 1/2	COPPER WASHER	RONDELLE CUIVRE	KOPFERSCHLEIBE
010...003	MT-RC064	3	NIPLES M/M G1/2 G1/2	NIPPLE	NIPLES M/M G1/2	NIPPEL
010...004	MT-VB241	2	VITE CIL. BRUGOLA M10x25 UNI 5931	CHEESE-HEADED SCREW	VIS	ZYLINDERSCHRAUBE
010...005	MT-RO405	2	RONDELLA NORM.DIAM. 10 UNI 6592/69	WASHER	RONDELLE	SCHLEIBE
010...006	MT-PO5004	1	POMPA PORTATA VARIABILE V250	VARIABLE DISPLACEMENT	POMPE CAPACITE VARIAB	VERSTELLPUMPE
010...007	MT-MO5016	1	MOTORE DIESEL LOMBARDINI LDW1204	DIESEL MOTOR FOCS1204	MOTEUR DIESEL FOCS	MOTOR
010...008	MT-BP170	4	ANTIVIBRANTE SEMIBLOC	VIBRATION-DAMPING	ANTI-VIBREUR	ERSCHUETTERUNGSFREIGE
010...009	MT-VE281	8	VITE ESAGONALE M10X20 UNI5737/77	HEXAGONAL-HEADED BOLT	VIS M10X20	SECHSECKIGE SCHRAUBE
010...010	MT-RO256	8	RONDELLA SPACCATA DIAM.10 UNI 1751	WASHER	RONDELLE	SCHLEIBE
010...011	MT-LM5175	1	LISTELLO FERMA RADIATORE ACQUA UBF4	LISTEL	LISTEL	LEISTE
010...012	MT-MP5019	1	COLLETTORE X MARMITTA S48D	MUFFLER MANIFOLD	COLLECTEUR	SAMMLER
010...013	MT-SU5074	1	SUPPORTO RADIATORE ACQUA	SUPPORT	SUPPORT	STUETZE
010...014	MT-VE241	4	VITE ESAGONALE M6x10 UNI 5737/77	HEXAGONAL SCREW	VIS	SECHSECKIGE SCHRAUBE
010...015	MT-RO256	4	RONDELLA SPACCATA DIAM.10 UNI 1751	WASHER	RONDELLE	SCHLEIBE
010...016	MT-FS020	1	FASCETTA MARMITTA	CLAMP	BANDE	SCHELLE
010...017	MT-VE282	3	VITE ESAGONALE M10x30 UNI 5737/77	HEXAGONAL-HEADED BOLT	VIS	SECHSECKIGE SCHRAUBE
010...018	MT-RO5008	3	RONDELLA SLARG. D.10x20 UNI6592/69	WASHER 10X20	RONDELLE 10X20	SCHLEIBE
010...019	MT-VE282	2	VITE ESAGONALE M10x30 UNI 5737/77	HEXAGONAL-HEADED BOLT	VIS	SECHSECKIGE SCHRAUBE
010...020	MT-RO256	2	RONDELLA SPACCATA DIAM.10 UNI 1751	WASHER	RONDELLE	SCHLEIBE
010...021	MT-SU5058	1	SUPPORTO MOTORE LOMBARDINI LDW 1204	ENGINE SUPPORT	SUPPORT MOTEUR	MOTORSTUETZE
010...022	MT-VE282	3	VITE ESAGONALE M10x30 UNI 5737/77	HEXAGONAL-HEADED BOLT	VIS	SECHSECKIGE SCHRAUBE
010...023	MT-RO5008	3	RONDELLA SLARG. D.10x20 UNI6592/69	WASHER 10X20	RONDELLE 10X20	SCHLEIBE
010...024	MT-MP5017	1	SILENZIATORE DI SCARICO S48/S38	SILENCER	SILENCIEUX	SCHALLDAMPFER
010...025	MT-BT025	1	BATTERIA 12V 60Ah 300A 242X175Xh190	BATTERY	BATTERIE 12V 60 AMP/H	BATTERIE
010...026	MT-SU5057	1	SUPPORTO BATTERIA	BATTERY SUPPORT	SUPPORT BATTERIE	HALTER
010...027	MT-RO5023	4	ROSETTA SLARGATA D.8x16	WASHER	RONDELLE	SCHLEIBE
010...028	MT-VB221	4	VITE CIL. BRUGOLA M6x16 UNI 5931/77	SCREW	VIS	SCHRAUBE
010...029	MT-SU5064	1	SUPPORTO VASCETTA LIQUIDO RAFFREDD	SUPPORT	SUPPORT	STUETZE
010...030	MT-TA5007	1	TAPPO VASCETTA ACQUA MOTORE LOMBAR	WATER TANK MOTOR PLUG	BOUCHON RES.EAU	KUHLERSCHRAUBE
010...031	MT-SB5007	1	VASCETTA ACQUA MOTORE LOMBARDINI	WATER TANK MOTOR	RESERVOIR EAU MOTEUR	WASSERKASTEN
010...032	MT-FT5009	1	FILTRO ARIA COMPLETO MOTORE LOMBARD	AIR FILTER	FILTRE A AIR	LUFTFILTER
010...033	MT-FS003	4	FASCETTA 40/60	CLAMP	COLLIER	BAENDCHEN
010...034	MT-TB5005	1	TUBO INGRESSO FILTRO ARIA IN METRI	INLET AIR FILTER HOSE	TUYAU ENTREE FIL.AIR	ROHR
010...035	MT-TB5005	1	TUBO INGRESSO FILTRO ARIA IN METRI	INLET AIR FILTER HOSE	TUYAU ENTREE FIL.AIR	ROHR
010...036	MT-PO5005	1	POMPA DOPPIA AD INGRANAGGI	DOUBLE GEAR PUMP	POMPE DOUBLE A ENGRAN	DOPPELZAHNRADPUMPE
010...037	MT-RC5047	2	RACCORDO A GOMITO RGBA 35-1/2	FITTING	RACCORD	ANSCHLUSS
010...038	MT-FT5010	1	FILTRO ARIA CARTUCCIA MOTORE LOMBAR	LOMBARDINI MOTOR AIR	FILTRE AIR CARTOUCHE	LUFTFILTEREINSATZ
010...039	MT-CC5011	1	CINGHIA FISSAGGIO BATTERIA S48	BELT	COURROIE	GURT
010...040	MT-RO5023	2	ROSETTA SLARGATA D.8x16	WASHER	RONDELLE	SCHLEIBE
010...041	MT-DD253	2	DADO AUTOBLOCCANTE M6	SELF-LOCKING NUT	ECROU DE SURETE	SICHERUNGSMUTTER
010...042	MT-PW5004	1	RADIATORE ACQUA COD.FOR.7350265	RADIATOR	RADIATEUR	RADIATOR
010...043	MT-RC070	1	RACCORDO M/M 3/4" 3/4"	FITTING	RACCORD	ANSCHLUSS
010...044	MT-RC5025	5	ROSETTA A TENUTA 3/4"	WASHER	RONDELLE	SCHLEIBE
010...045	MT-RC5056	2	NIPPLES M1/2 M3/4	NIPPLE	NIPPLE	NIPPEL
010...046	MT-RC012	3	ROSETTA A TENUTA 1/4"	WASHER	RONDELLE	SCHLEIBE
010...047	MT-RC5057	2	NIPPLE M1/4 M1/4 CON FORO USCITA 1m	NIPPLE	NIPPLES M1/4	NIPPEL
010...048	MT-RC5016	1	NIPLES M-M G1/4 G1/4	NIPLES 1/4	NIPLES 1/4	NIPPEL 1/4
010...049	MT-VV439	2	VITE SVAS.BRUGOLA M8x16 UNI5933/77	COUNTERSUNK SCREW	VIS	SENKSCHEIBE
010...050	MT-BO065	2	BOCCOLA SVASATA	COUNTERSUNK BUSH	DOUILLE	BUCHSE
010...051	MT-FS5009	1	FASCETTA DI AGGANCIO FILTRO LOMBARD	CLAMP	COLLIER	BAENDCHEN
010...052	MT-DD454	2	DADO AUTOBLOCCANTE M8 INOX	SELFLOCKING NUT	ECROU DE SURETE	SICHERUNGSMUTTER





N.Position	Code Num	Qta	Descrizione	Description	Description	Bezeichnung
011...001	MT-MO164	2	MOTORE SCUOTIFILTRO 12V	ENGINE	MOTEUR	MOTOR
011...002	MT-PY5010	1	FANALE ANABBAGLIANTE ANTERIORE	FRONT LIGHT	PHARE AVANT	ABBLENDLICHT
011...003	MT-PY5010	1	FANALE ANABBAGLIANTE ANTERIORE	FRONT LIGHT	PHARE AVANT	ABBLENDLICHT
011...004	MT-IN5005	1	MICRO COMANDO SPIA FLAP	MICRO	MICRO	MIKROSCHALTER
011...005	MT-PY301	2	CONNETTORE 3 POLI MASCHIO FASTON	3-POLE MALE CONNECTOR	CONNECTEUR	3-POLIGER KONTAKTSTIF
011...006	MT-PY302	2	CONNETTORE 3 POLI FEMM ATT FASTON	3-POLE FEMALE CONNECT	CONNECTEUR	3-POLIGE STECKERHUELS
011...007	MT-PY698	4	CONNETTORE 4 POLI MASCHIO	4-POLE MALE CONNECTOR	CONNECTEUR	4-POLIGER KONTAKTSTIF
011...008	MT-PY699	4	CONNETTORE 4 POLI FEMMINA	4-POLE FEMALE CONNECT	CONNECTEUR	4-POLIGE STECKERHUELS
011...009	MT-PY5137	1	INDICATORE ACCENSIONE SCUOTI FILTRO	FILTERSHAKER PILOT LI	INDICATEUR SECOUER DE	SCHUETTELNFILTERSANZE
011...010	MT-PY5136	1	INDICATORE VENTOLA UBF38 (VERDE)	FAN PILOT LIGHT	INDICATEUR ROTOR DE V	GEBLAESESANZEIGER
011...011	MT-PY5052	1	INDICATORE INTASAMENTO FILTRO (ROSS)	FILTER PILOT LIGHT	FILTRE INDICATEUR	FILTERSANZEIGER
011...012	MT-PY5074	1	INDICATORE COMBUSTIBILE	PETROL PILOT LIGHT	INDICATEUR COMBUSTIBL	KRAFTSTOFFSANZEIGER
011...013	MT-PY5021	1	INDICATORE TEMPERATURA ACQUA MOTORE	WATER TEMP.LIGHT	INDIC.TEMP.EAU MOTEUR	WASSERTEMPERATURSANZE
011...014	MT-PY5070	1	INDICATORE PRERISCALDAMENTO MOTORE	ENGINE PILOT LIGHT	INDICATEUR MOTEUR	MOTORSANZEIGER
011...015	MT-PY5076	1	INDICATORE PRESSIONE OLIO MOTORE	MOTOR OIL PRESSURE PI	INDICATEUR PRESSION H	MOTOROELDRUCKSANZEIGE
011...016	MT-PY5077	1	INDICATORE CARICA GENERATORE	GENERATOR PILOT LIGHT	INDICATEUR GENERATEUR	GENERATORSANZEIGER
011...017	MT-PY5201	1	VETRINO SPIA IND. DI DIREZIONE	GLAS PILOT LIGHT	PETIT VERRE	ANZEIGERSGLAESCHEN
011...018	MT-PY5059	1	INDICATORE LUCI POSIZIONE	FRONT LIGHTS PILOT LI	INDICATEUR FEUX DE PO	STANDLICHTSANZEIGER
011...019	MT-PY214	1	DIODO P 600G UBF 38B	DIODE	DIODE	DIODE
011...020	MT-PY5086	1	CONTAORE 12V	TIMER	COMPTE-HEURES 12V	12V STUNDENZAEHLER
011...021	MT-IN5003	1	INTERRUTTORE A CHIAVE	KEY SWITCH	INTERRUPTEUR A CLEF	SCHALTER
011...022	MT-PY5019	1	SCATOLA FUSIBILI	FUSES BOX	BOITE DES FUSIBLES	SCHMELZSICHERUNGENSCH
011...023	MT-IN5092	1	INTERRUTTORE CIAM 511.111	SWITCH	INTERR.CIAM 511.111	SCHALTER
011...024	MT-IN5008	1	INTERRUTTORE LUCI MACCHINA	LIGHTS SWITCH	INTERRUPTEUR FEUX	LEUCHTESCHALTER
011...025	MT-IN5092	1	INTERRUTTORE CIAM 511.111	SWITCH	INTERR.CIAM 511.111	SCHALTER
011...026	MT-IN5090	1	INTERRUTTORE CIAM 511.120	SWITCH	INTERR.CIAM 511.120	SCHALTER
011...027	MT-IN044	1	SELETTORE MARCIA AVANTI/INDIETRO+CL	GEAR AND HORN SELECTO	MARCHE ET CLACSON SEL	GANG-HUPESCHALTER
011...028	MT-PY300	2	CONNETT. 2 POLI FEMM ATT FASTON 6,3X	2-POLE CONNECTOR	CONNECTEUR	2-POLIGE STECKDOSE
011...029	MT-PY299	2	CONNETT. 2POLI MASCHIO ATT FASTON 6,	2-POLE CONNECTOR	CONNECTEUR	2-POLIGER STECKER
011...030	MT-PY484	2	CONNETTORE 11 POLI FASTOM FEMMINA	CONNECTOR	CONNECTEUR	STECKERHUELSE
011...031	MT-PY486	2	CONNETTORE 11 POLI MASCHIO	CONNECTOR	CONNECTEUR	STECKVERBINDER
011...032	MT-PY5007	1	FUSIBILE LAMELLARE 50A 40X10	LAMELLAR FUSE 50A	FUSIBLE	SCHMELZSICHERUNG
011...033	MT-MI118	1	AVVISATORE ACUSTICO 12V	MOTOR-HORN	KLAXON	AUTOHUPE
011...034	MT-VO5014	1	VALVOLA 4WE 6 HA6X/SG12N9K4/V	VALVE	SOUPAGE	VENTIL
011...035	MT-PW5013	1	SCAMBIATORE PER OLIO UBF48	OIL EXCHANGER	HUILE ECHANGEUR	OELAUSTAUSCHER
011...036	MT-SL5001	1	RELE' DI PRERISCALDAMENTO CANDELETT	RELAY	RELAIS	RELAIS
011...037	MT-SL011	1	RELE' 12V/30A 1957	RELAY	RELAIS 12V-30A	RELAIS
011...038	MT-SL011	1	RELE' 12V/30A 1957	RELAY	RELAIS 12V-30A	RELAIS
011...039	MT-SL011	1	RELE' 12V/30A 1957	RELAY	RELAIS 12V-30A	RELAIS
011...040	MT-SL011	1	RELE' 12V/30A 1957	RELAY	RELAIS 12V-30A	RELAIS
011...041	MT-PY565	1	RELE INTERMITTENZA FRECCE AV.19.000	RELAY	RELAIS	RELAIS
011...042	MT-MI5084	1	SENSORE INTASAMENTO FILTRO ARIA	AIR FILTER SENSOR	AIR FILTRE CAPTEUR	LUFTFILTERSSENSOR
011...043	MT-IN5013	1	INTERRUTTORE LUCI STOP	SWITCH	INTERRUPTEUR	SCHALTER
011...044	MT-PY5087	1	TRECCIA DI MASSA	EARTH PLAIT	TRESSE DE LA TERRE	GEFLECHT
011...045	MT-BT025	1	BATTERIA 12V 60Ah 300A 242X175Xh190	BATTERY	BATTERIE 12V 60 AMP/H	BATTERIE
011...046	MT-GL5000	1	GALLEGGIANTE SPIA LIVELLO GASOLIO	GASOIL FLOAT LEVEL	FLOTTEUR NIVEAU GASOI	SCHWIMMER
011...047	MT-PY5040	1	FANALE POSTERIORE SX	REAR LEFT LIGHT	FEU ARRIERE GAUCHE	LINKSSCHEINWERFER
011...048	MT-PY5009	1	LAMPEGGIANTE ROTANTE ARANCIO 12V	ORANGE FLASHING LIGHT	GYROPHARE	BLINKLEUCHE
011...049	MT-PY5011	1	FANALE POSTERIORE DX	REAR LIGHT	PHARE ARRIERE	RECHTSSCHEINWERFER
011...050	MT-PY5067	12	PORTAVETRINO	GLASS SUPPORT	SUPPORT PETIT VERRE	GLAESCHENBEHALTER
011...051	MT-PY5065	12	BLOCCETTO X SPIA	PILOT LIGHT SOCKET	INDICATEUR PLOT	ANZEIGERSOCKEL
011...052	MT-PY5068	12	LAMPADA 12V 3W	12V 3W BULB	AMPOULE 12V 3W	12V 3W BIRNE
011...053	MT-PY5066	12	PORTALAMPADA (511502)	BULB SUPPORT	SUPPORT AMPOULE	BIRNESSTUETZE
011...054	MT-PY5008	1	PORTAFUSIBILE PER FUSIBILE LAMELLARE 50A 40x10	FUSE SOCKET	SUPPORT FUSIBLE	FLACHSICHERUNGSEINSAT
011...055	MT-PY5211	1	MICRO S/LEVETTA S48	SWITCH	INTERRUPTEUR	SCHALTER
011...056	MT-PY5180	1	CICALINO RETROMARCIA UBF34 NEW	REVERSE BLEEPER	SONNETTE RENVSEMENT	RUECKWAERTSGANGSIGNAL
011...057	MT-PY5012	1	VETRINO SCUOTI-FILTRO	FILTER SHAKER GLASS	LAMPE SECOUER FILTRES	SCHUETTELFILTERSCHEIB
011...058	MT-IN008	1	FRUTTO NORMALMENTE APERTO UBF 38B	NORMALLY OPEN CONTACT	CONTAT NORMAL.OUVERT	KONTAKT
011...059	MT-PY5032	1	CONNETTORE MASCHIO 1 POLO	1-POLE MALE CONNECTOR	CONNECTEUR	1-POLIGER KONTAKTSTIF
011...060	MT-PY5031	1	CONNETTORE FEMMINA 1 POLO	1-POLE FEMALE CONNECT	CONNECTEUR	1-POLIGE STECKERHUELS





N.Position	Code Num	Qta	Descrizione	Description	Description	Bezeichnung
012...001	MT-SB5005	1	SERBATOIO OLIO IDRAULICO UBF 48D	HYDRAULIC OIL TANK	RESERVOIR HUILE HYDRA	HYDRAULIKOELSTANK
012...002	MT-PW5013	1	SCAMBIATORE PER OLIO UBF48	OIL EXCHANGER	HUILE ECHANGEUR	OELAUSTAUSSCHER
012...003	MT-MO5015	1	MOTORE IDRAULICO OMTW 315	HYDR.MOTOR OMTW 315	MOTEUR HYD.OMTW315	MOTOR
012...004	MT-MA5004	1	MARTINETTO IDRAULICO STERZO	STEERING SCREW JACK	VERIN HYDR.DIRECTION	HEBEBOCK
012...005	MT-MA5012	1	CILINDRO SOLLEVAMENTO CASSONE	JACK	VERIN	HEBEBOCK
012...007	MT-PO5004	1	POMPA PORTATA VARIABILE V250	VARIABLE DISPLACEMENT	POMPE CAPACITE VARIAB	VERSTELLPUMPE
012...008	MT-PO5005	1	POMPA DOPPIA AD INGRANAGGI	DOUBLE GEAR PUMP	POMPE DOUBLE A ENGRAN	DOPPELZAHNRADPUMPE
012...010	MT-MA5003	1	MARTINETTO IDRAULICO SPAZZOLA CENTR	HYDR.SCREW JACK	VERIN HYDR.BROSSE CEN	HEBEBOCK
012...011	MT-MO5014	1	MOTORE IDRAULICO OMP 50	CENTRAL BRUSH HYDRAUL	MOT.HYDRAUL.BROSSE CE	MOTOR
012...012	MT-VO5006	1	VALVOLA PRIORITARIA VPR/3/EP 38/V	VALVE	SOUPAGE	VENTIL
012...013	MT-RC5000	1	RACCORDO ARRIVI TUBI OLIO	PIPE OIL UNION	RACCORD	ANSCHLUSS
012...014	MT-VO5014	1	VALVOLA 4WE 6 HA6X/SG12N9K4/V	VALVE	SOUPAGE	VENTIL
012...015	MT-MO5017	1	MOTORE IDRAULICO OMM 20	HYDR.MOTOR OMM 20	MOTEUR HYDRAULIQUE	MOTOR
012...016	MT-DB5005	1	DISTRIBUTORE 1 LEVA UBF48	1-LEVER DISTRIBUTOR	DISTRIBUTEUR UN LEVIE	VERTEILER 1 HEBEL
012...017	MT-DB5006	1	DISTRIBUTORE 3 LEVE UBF48	3-LEVER DISTRIBUTOR	DISTRIBUTEUR 3 LEVIER	3-HEBELSVERTEILER
012...018	MT-MI5029	1	COMANDO IDRAULICO AVANZAMENTO	HYDRAULIC FEED DEVICE	COMMANDE AVANCEMENT H	HYDRAULISCHER VORSCHU
012...020	MT-AI5005	1	IDROGUIDA	POWER STEERING	SERVODIRECTION	HILFSKRAFTLENKUNG
012...021	MT-MA5006	1	MARTINETTO SPAZZOLA LATERALE	JACK	VERIN	HEBEBOCK
012...022	MT-MO5013	1	MOTORE IDRAULICO OMP 100	SIDE BRUSH HYDR.MOTOR	MOTEUR HYDRAUL.BR.LAT	MOTOR
012...023	MT-MO5013	1	MOTORE IDRAULICO OMP 100	SIDE BRUSH HYDR.MOTOR	MOTEUR HYDRAUL.BR.LAT	MOTOR
012...024	MT-MA5002	1	MARTINETTO IDRAULICO APERTURA FLAP	FLAP SCREW JACK	VERIN HYDRAULIQUE	HEBEBOCK
012...025	MT-MO5016	1	MOTORE DIESEL LOMBARDINI LDW1204	DIESEL MOTOR FOCS1204	MOTEUR DIESEL FOCS	MOTOR



Mat. n.
Serial no.
Nr. de serie

Data di spedizione
Date of shipment
Date de spedition

Distributed by:

ING. O. FIORENTINI s.r.l.
“THE BEST IN FLOOR MACHINES”

FILIALI:

20132 MILANO – Fax. 02/2592779
Via Palmanova 211/a – Tel. 02/27207783 - 2564810
00155 ROMA – Fax. 06/22754075
Via Carlo Carrà 13 – Tel. 06/22754040-2275060

STABILIMENTO:

50030 PIANCALDOLI (FI) – Fax. 055/817144
Loc. Rombola – Tel. 055/8173610