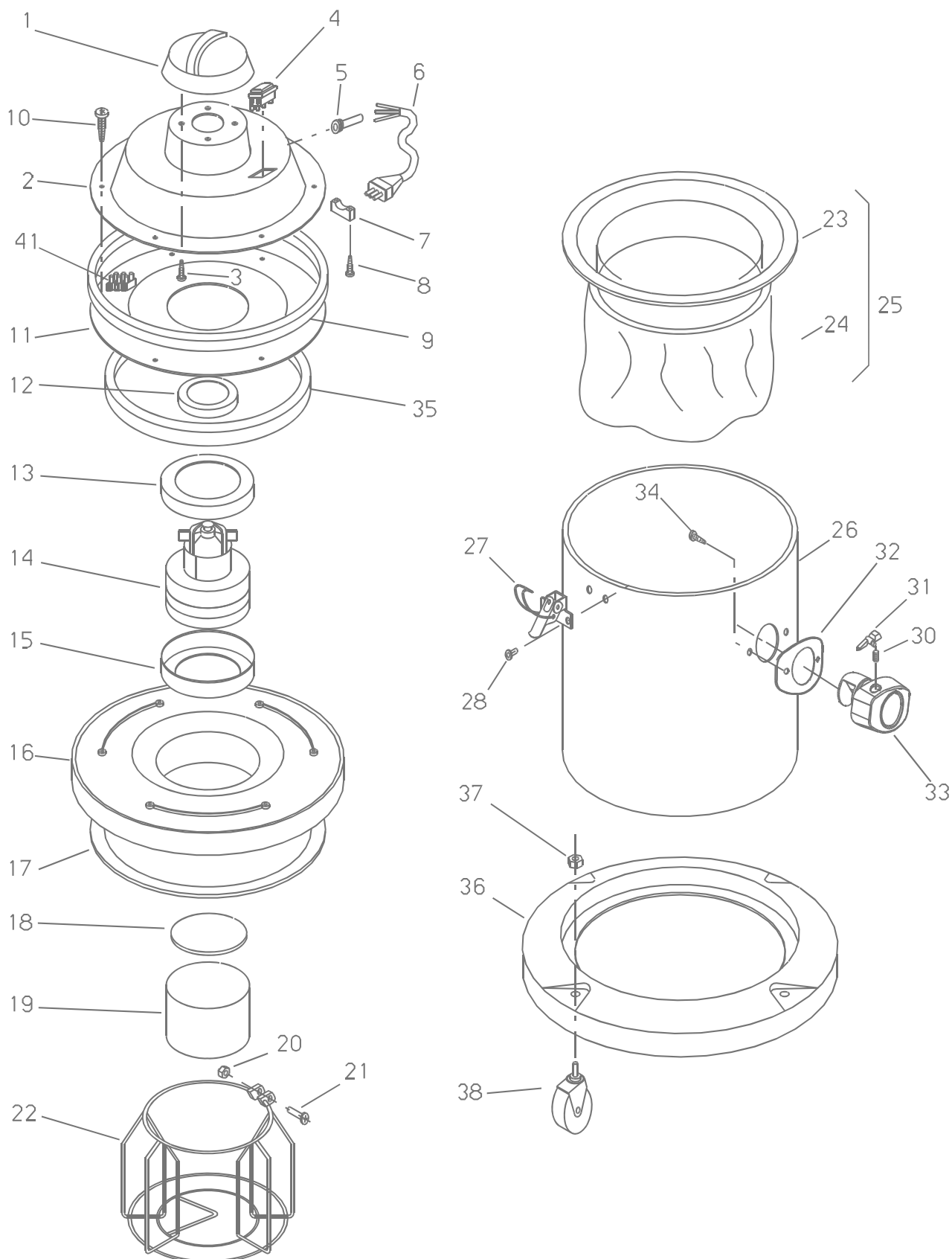


F17F1

ASPIRAPOLVERE/ASPIRALIQUIDI FIBEL 160 - WET&DRY VACUUM
 CLEANER FIBEL 160 - ASPIRATEUR EAU/POUSSIÈRE FIBEL 160-
 STAUB WASSER SAUGER FIBEL 160



N.Posit	Code	Qta	Descrizione	Description	Description	Bezeichnung
F17.A.01	CZ001*	1	COPERCHIO	COVER	COUVERCLE	DECKEL
F17.A.02	CU001*	1	CALOTTA COPRI MOTORE	MOTOR CAP	CALOTTE	MOTORKAPPE
F17.A.03	VA322	4	VITE FIL.RAP.5x13 TC S/PUNTA	SCREW	VIS	SCHRAUBE
F17.A.04	IN010	1	INTERRUTTORE	ON/OFF SWITCH	INTERRUPTEUR	SCHALTER
F17.A.05	PY309	1	PASSACAVO IN GOMMA NERA	BLACK RUBBER FAIRLEAD	PASSECCABLE NOIR	KABELDURCHGANG
F17.A.06	PY999*	1	CAVO ELETTRICO	ELECTRIC CABLE	CABLE ELECTRIQUE	ELEKTR. KABEL
F17.A.07	PY308	1	FERMACAVO IN PLASTICA PICCOLO	CABLE HOLDER	ARRETE-CABLE	KABELSPERRE
F17.A.08	VA261	2	VITE AUTOFIL.TC CROCE 3,5x19	SCREW	VIS	SCHRAUBE
F17.A.09	FO011	1	MAT. POLIESTIC	POLIESTIC MAT.	MAT. POLIESTIC	POL.KUNSTST
F17.A.10	VA323	6	VITE FIL.RAP.5x16 TC S/PUNTA	SCREW	VIS	SCHRAUBE
F17.A.11	DF002	1	BRIGLIA FERMA MOTORE	BRIDLE	CRAMPON	SPERRE
F17.A.12	GO014	1	CONVOGLIATORE	CONVEYOR	CONVOYEUR	FOERDERER
F17.A.13	GR009	1	GUARNIZIONE A L 145x10	"L" GASKET 145x10	GARNITURE	L-DICHTUNG
F17.A.14	MO999*	1	MOTORE ASPIRAZIONE	SUCTION MOTOR	MOTEUR ASPIRATION	ANSAUGMOTOR
F17.A.15	GR005	1	GUARNIZIONE A L 145x5	"L" GASKET 145x5	GARNITURE	L-DICHTUNG
F17.A.16	CB002*	1	CALOTTA BASE D.320	CAP BASE D.320	CALOTTE	KAPPE
F17.A.17	GO003	1	GUARNIZIONE CALOTTA BASE D.320	DOME GASKET	GARNITURE	KAPPEDICHTUNG
F17.A.18	GO005	1	GUARNIZIONE GALLEGGIANTE	GASKET FLOAT	GARNITURE	SCHWIMMERDICHTUNG
F17.A.19	GE001	1	GALLEGGIANTE	FLOAT	FLOTTEUR	SCHWIMMER
F17.A.20	DD203	1	DADO M5 UNI 5588/65	NUT	ECROU	MUTTER
F17.A.21	VC220	1	VITE CILIN.CROCE M5x55 UNI 7687	SCREW	VIS	SCHRAUBE
F17.A.22	CL002	1	CESTELLO H=155	BASKET	PANIER	KASTEN
F17.A.23	AN002	1	ANELLO FILTRO D.320	FILTER RING D.320	BAGUE FILTRE	FILTERRING
F17.A.24	SF002	1	SACCO FILTRO h=190	FILTER BAG	SAC FILTRE	FILTERBEUTEL
F17.A.25	KF001	1	ASSEMBLAGGIO FILTRO D.320x190	FILTER ASSY	ASSEMBL. FILTRE	FILTERZUSAMMENBAU
F17.A.26	CN040	1	FUSTO INOX D.320x330	SHAFT D.320x330	CUVE ABS	SCHAFT
F17.A.27	CC004	2	GANCIO ZINCATO	GALVANIZED HOOK	CROCHET ZINGUE	VERZINKTER HAKEN
F17.A.28	RV001	4	RIVETTO 4,8x7	RIVET	RIVET	NIETE
F17.A.30	ML137	1	MOLLA	SPRING	RESSORT	FEDER
F17.A.31	SE004	1	SALTERELLO	PAWL	SAUTEUR	FALLKLINKE
F17.A.32	GO044	1	GUARNIZIONE BOCCHETTONE	UNION BASKET	GARNITURE	STUTZENDICHTUNG
F17.A.33	BC007	1	BOCCHETTONE OTTOGONALE D.40	UNION D.40	GOULOTTE	STUTZEN
F17.A.34	VA424	2	VITE AUTOFILETTANTE 4.8x19 INOX	SCREW	VIS	SCHRAUBE
F17.A.35	FO010	1	MAT. POLIESTIC	POLIESTIC MAT.	MAT. POLIESTIC	POL. KUNSTST
F17.A.36	BR006*	1	BASE CARRELLO D.320	TRUCK BASE D.320	BASE CHARIOT	WAGENUNTERLAGE
F17.A.37	DD261	4	DADO CIECO M8	CAP NUT	ECROU BORGNE	HUTMUTTER
F17.A.38	RT039	4	RUOTA PIVOTTANTE	WHEEL	ROUE	RAD
F17.A.41	PY182	1	MORSETTIERA MAMMUT A 3 POLI PA44	TERMINAL BOARD	BORNIER	KLEMMENBRETT

Ing. O. FIORENTINI s.r.l.

Sede e Stabilimenti: **50030 PIANCALDOLI** - Loc. ROMBOLA (Firenze) Tel.055/8173610 - Fax 055/817144
50030 PIETRAMALA - Via del Molino (Firenze) Tel. 055/813447

Filiale: **00155 ROMA** - Via Carlo Carrà, 13
Tel.06/22754040/60 - Fax 06/22754065

Filiale: **20132 MILANO** - Via Palmanova, 211/A
Tel.02/27207783 - 2564810 - Fax 02/2592779

E-mail: inform@ingfiorentini.it - sales@ingfiorentini.it - www.ingfiorentini.it