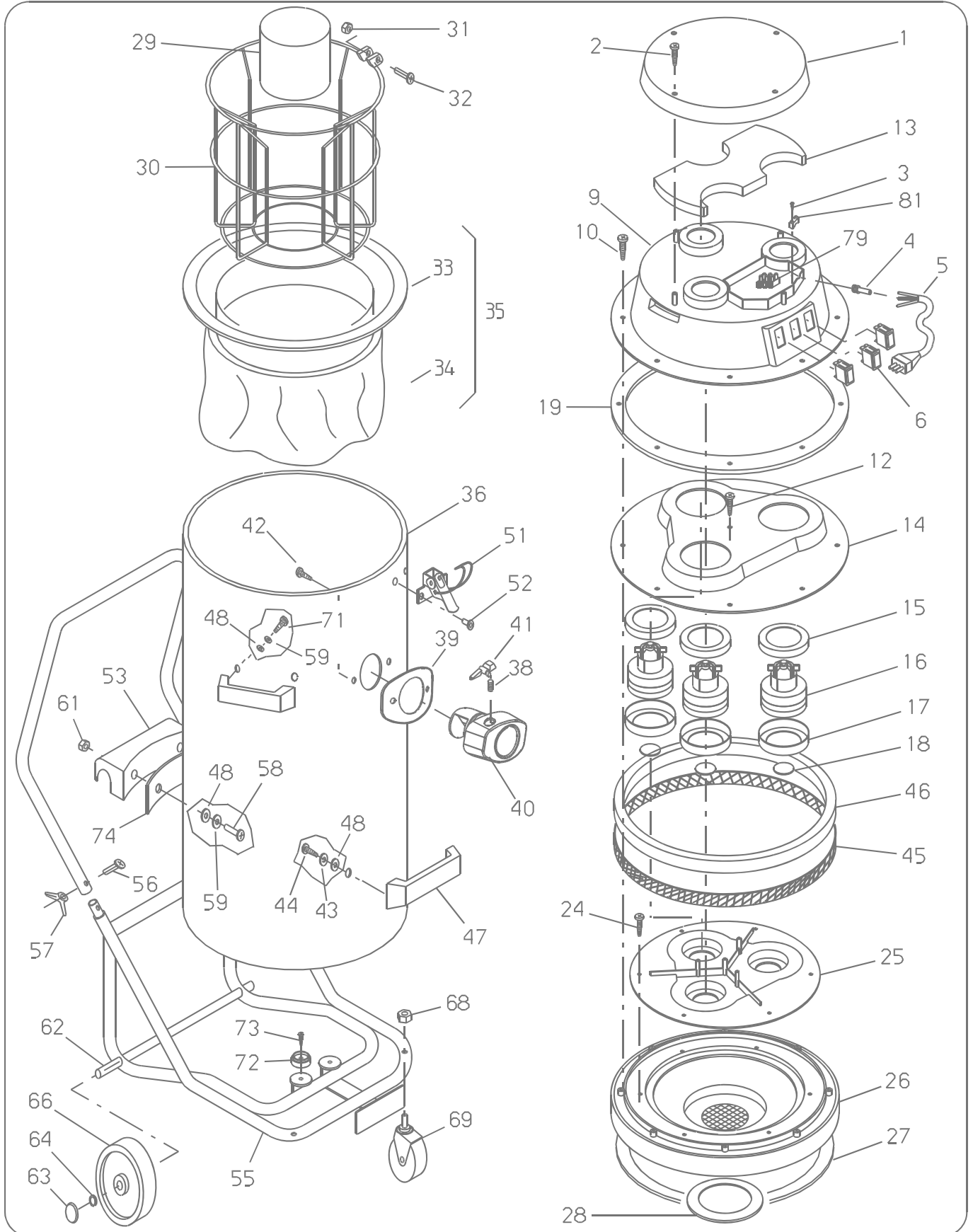


F56F1

**ASPIRAPOLVERE/ASPIRALIQUIDI FIBEL 450B3 - WET&DRY VACUUM
 CLEANER FIBEL 450B3 - ASPIRATEUR EAU/POUSSIERE FIBEL
 450B3 - STAUB WASSER SAUGER FIBEL 450B3**



N.Posit	Code	Qta	Descrizione	Description	Description	Bezeichnung
F56.A.01	CZ004*	1	COPERCHIO	COVER	COUVERCLE	DECKEL
F56.A.02	VA323	4	VITE FIL.RAP.5x16 TC S/PUNTA	SCREW	VIS	SCHRAUBE
F56.A.03	VA265	2	VITE AUTOFIL.TC CROCE 3,5x22	SCREW	VIS	SCHRAUBE
F56.A.04	PY309	1	PASSACAVO IN GOMMA NERA	BLACK RUBBER FAIRLEAD	PASSECCABLE NOIR	KABELDURCHGANG
F56.A.05	PY999*	1	CAVO ELETTRICO	ELECTRIC CABLE	CABLE ELECTRIQUE	ELEKTR. KABEL
F56.A.06	IN010	3	INTERRUTTORE	ON/OFF SWITCH	INTERRUPTEUR	SCHALTER
F56.A.09	CU003*	1	CALOTTA COPRI MOTORE D.420 3 FORI	COVER MOTOR	CALOTTE	MOTORKAPPE
F56.A.10	VA326	8	VITE FIL.RAP.5x25 TC S/PUNTA	SCREW	VIS	SCHRAUBE
F56.A.12	VA326	4	VITE FIL.RAP.5x25 TC S/PUNTA	SCREW	VIS	SCHRAUBE
F56.A.13	FO006	1	MAT. POLIESTIC	POLIESTIC MAT.	MAT. POLIESTIC	POL. KUNSTSTOFF
F56.A.14	DF010	1	DISCO FERMA MOTORE D.420 2 FORI	DISC	DISQUE	SCHLEIBE
F56.A.15	GR072	3	GUARNIZIONE A L 145x3.5	GASKET	JOINT	DITHTUNG
F56.A.16	MO999*	3	MOTORE ASPIRAZIONE	SUCTION MOTOR	MOTEUR ASPIRATION	ANSAUGMOTOR
F56.A.17	GR072	3	GUARNIZIONE A L 145x3.5	GASKET	JOINT	DITHTUNG
F56.A.18	TO004	3	VALVOLA MOTORE	MOTOR VALVE	SOUPAPE	MOTORVENTIL
F56.A.19	FO001	1	MAT. POLIESTIC	POLIESTIC MAT.	MAT. POLIESTIC	POL. KUNSTSTOFF
F56.A.24	VA322	6	VITE FIL.RAP.5x13 TC S/PUNTA	SCREW	VIS	SCHRAUBE
F56.A.25	DF005	1	DISCO PORTA MOTORI D.420	ADAPTER LOWER	DISQUE	SCHLEIBE
F56.A.26	CB004*	1	CALOTTA BASE D.420	CAP BASE D.420	CALOTTE	KAPPE
F56.A.27	GO010	1	GUARNIZIONE CALOTTA BASE D.420	DOME GASKET	GARNITURE	KAPPEDICHTUNG
F56.A.28	GO009	1	GUARNIZIONE GALLEGGIANTE	GASKET-SHUT OF CAM	GARNITURE	SCHWIMMERDICHTUNG
F56.A.29	GE003	1	GALLEGGIANTE	CAN-SHUT OFF	FLOTTEUR	SCHWIMMER
F56.A.30	CL005	1	CESTELLO h=345	CAGE-SHUT OFF h=345	PANIER	KASTEN
F56.A.31	DD203	1	DADO M5 UNI 5588/65	NUT	ECROU	MUTTER
F56.A.32	VC218	1	VITE CILIN.CROCE M5x45	SCREW M5x45	VIS	SCHRAUBE
F56.A.33	AN004	1	ANELLO FILTRO D.420	FILTER RING D.420	BAGUE FILTRE	FILTERRING
F56.A.34	SF005	1	SACCO FILTRO h=360	FILTER BAG	SAC FILTRE	FILTERBEUTEL
F56.A.35	KF006	1	ASSEMBLAGGIO FILTRO D.420x360	FILTER BAG ASSEMBLY	ASSEMBL. FILTRE	FILTERZUSAMMENBAU
F56.A.36	CN037	1	FUSTO INOX D.420x600 CERN.ALL.	INOX TANK ALUM.HINGE	CUVE INOX	SCHAFT
F56.A.38	ML137	1	MOLLA	SPRING	RESSORT	FEDER
F56.A.39	GO044	1	GUARNIZIONE BOCCHETTONE	GASKET-TANK INTAKE	GARNITURE	STUTZENDICHTUNG
F56.A.40	BC007	1	BOCCHETTONE	ADAPTOR-TANK INTAKE	GOULOTTE	STUTZEN
F56.A.41	SE004	1	SALTERELLO	DISCONNECT PIN ASSEMB	SAUTEUR	FALLKLINKE
F56.A.42	VA424	2	VITE AUTOFILETTANTE 4.8x19	SCREW	VIS	SCHRAUBE
F56.A.43	RO503	2	RONDELLA SLARGATA DIAM. 6x24 INOX	WASHER	RONDELLE	SCHLEIBE
F56.A.44	VA434	2	VITE AUTOFILETT. 5.5x19 INOX	SCREW	VIS	SCHRAUBE
F56.A.45	FO002	1	RETINA IN ALLUMINIO	ALLUMINIUM NET	FILET	NETZ
F56.A.46	FO003	1	MAT. POLIESTIC	POLIESTIC MAT.	MAT. POLIESTIC	POL. KUNSTSTOFF
F56.A.47	GG002	3	MANIGLIA IN PLASTICA	PLASTIC HANDLE	POIGNEE	KUNSTSTOFFGRIFF
F56.A.48	GO007	8	GUARNIZIONE VITE 5x25 SP.2	SCREW GASKET	GARNITURE	SCHRAUBENDICHTUNG
F56.A.51	CC004	2	GANCIO ZINGATO	GALVANIZED HOOK	CROCHET ZINGUE	VERZINKTER HAKEN
F56.A.52	RV001	4	RIVETTO 4,8x7 TESTA OVALE	RIVET	RIVET	NIET
F56.A.53	CR003	1	CERNIERA IN ALLUMINIO	ALUMINIUM HINGE	CHARNIERE	ALU-SCHARNIER
F56.A.55	BR024	1	CARR.BASC.LUSSO 450B C/ATT C/MAN.	LUX.BASC.TRUCK.450B	CHARIOT	WAGEN
F56.A.56	VC224	2	VITE CILIN.CROCE M6x30 UNI 7687	SCREW	VIS	SCHRAUBE
F56.A.57	VL293	2	DADO AD ALETTE M6 UNI 5448/71	NUT	ECROU	MUTTER
F56.A.58	VC223	2	VITE CILIN.CROCE M6x20	SCREW	VIS	SCHRAUBE
F56.A.59	RO305	6	RONDELLA SLARGATA DIAM. 6x24	WASHER	RONDELLE	SCHLEIBE
F56.A.61	DD204	2	DADO M6 UNI 5588/65	NUT	ECROU	MUTTER
F56.A.62	AS004	1	ASSALE CARRELLO LUSSO D.12x550	LUX.TR.AXLE D.12x554	ESSIEU	ACHSE
F56.A.63	CF003	2	CUFFIA BLOCCA RUOTE	WHEEL LOCK. CASING	PROTECTEUR	RADAERSPERREKASTEN
F56.A.64	SG005	2	ANELLO SEEGER PER EST.DIAM.12	SEEGER RING	SEEGER	SEEGERRING
F56.A.66	RT025	2	RUOTA FISSA	WHEEL	ROUE	RAD
F56.A.68	DD263	2	DADO CIECO M10 UNI 5721/69	CAP NUT	ECROU BORGNE	HUTMUTTER
F56.A.69	RT026	2	RUOTA PIVOTTANTE	CASTER PIVOT	ROUE	RAD
F56.A.71	VA242	4	VITE AUTOFIL.FIL.RAP.5,5x16	SCREW	VIS	SCHRAUBE
F56.A.72	GO022	2	GOMMINO	SHAFT SUPPORT RUBBER	CAOUTCHOUC	GUMMISTUECK
F56.A.73	VC223	2	VITE M6x20	SCREW	VIS	SCHRAUBE
F56.A.74	GO023	1	GUARNIZIONE CERNIERA BASCUL.	GASKET HINGE	GARNITURE	STUTZENDICHTUNG
F56.A.79	PY182	1	MORSETTIERA MAMMUT A 3 POLI PA44	TERMINAL BOARD	BORNIER	KLEMENBRETT
F56.A.81	PY252	1	FERMACAVO IN PLASTICA GRANDE	U BOLT	BARRETTE	BUEGELBOLZEN

Ing. O. FIORENTINI s.r.l.

Sede e Stabilimenti: **50030 PIANCALDOLI** - Loc. ROMBOLA (Firenze) Tel.055/8173610 - Fax 055/817144

50030 PIETRAMALA - Via del Molino (Firenze) Tel. 055/813447

Filiale: **00155 ROMA** - Via Carlo Carrà, 13

Tel.06/22754040/60 - Fax 06/22754065

Filiale:**20132 MILANO** - Via Palmanova, 211/A

Tel.02/27207783 - 2564810 - Fax 02/2592779

E-mail: inform@ingfiorentini.it - sales@ingfiorentini.it - www.ingfiorentini.it