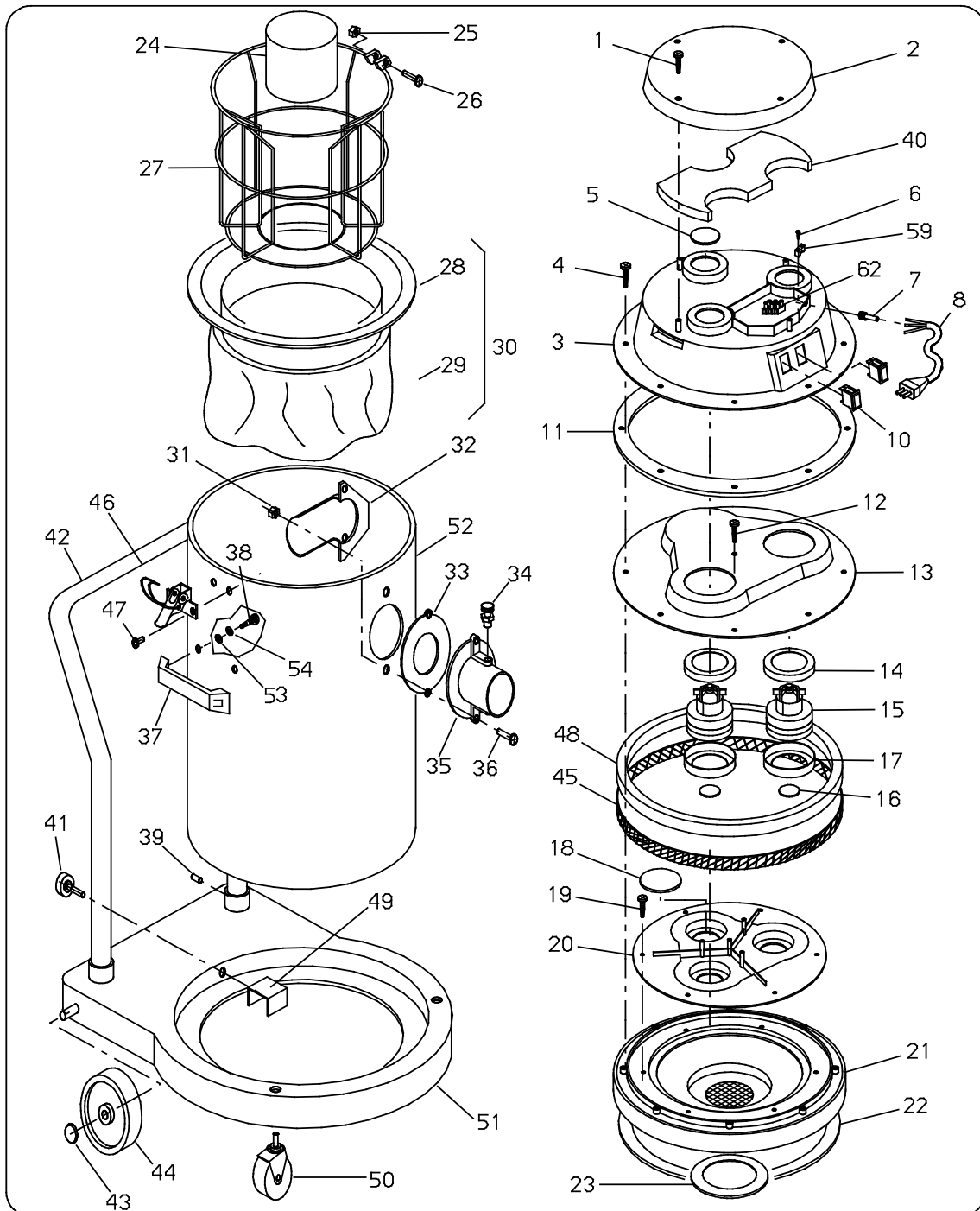


F46F1

ASPIRAPOLVERE/ASPIRALIQUIDI FIBEL 450M2 - WET&DRY VACUUM
 CLEANER FIBEL 450M2 - ASPIRATEUR EAU/POUSSIÈRE FIBEL
 450M2 - STAUB WASSER SAUGER FIBEL 450M2



| N.Posit | Code | Qta | Descrizione | Description | Description | Bezeichnung |
|----------|--------|-----|----------------------------------|-----------------------|-------------------|--------------------|
| F46.A.01 | VA323 | 4 | VITE FIL.RAP.5x16 TC S/PUNTA | SCREW | VIS | SCHRAUBE |
| F46.A.02 | CZ004* | 1 | COPERCHIO | COVER | COUVERCLE | DECKEL |
| F46.A.03 | CU010* | 1 | CALOTTA COPRI MOTORE D.420 | COVER MOTOR | CALOTTE | MOTORKAPPE |
| F46.A.04 | VA326 | 8 | VITE FIL.RAP.5x25 TC S/PUNTA | SCREW | VIS | SCHRAUBE |
| F46.A.05 | TO002 | 1 | TAPPO CALOTTA COPRI MOTORE | DOME PLUG | BOUCHON | STOPFFEN |
| F46.A.06 | VA261 | 2 | VITE AUTOFIL.TC CROCE 3,5x19 | SCREW | VIS | SCHRAUBE |
| F46.A.07 | PY309 | 1 | PASSACAVO IN GOMMA NERA | BLACK RUBBER FAIRLEAD | PASSECCABLE NOIR | KABELDURCHGANG |
| F46.A.08 | PY999* | 1 | CAVO ELETTRICO | ELECTRIC CABLE | CABLE ELECTRIQUE | ELEKTR. KABEL |
| F46.A.10 | IN010 | 2 | INTERRUTTORE | ON/OFF SWITCH | INTERRUPTEUR | SCHALTER |
| F46.A.11 | FO001 | 1 | MAT. POLIESTIC | POLIESTIC MAT. | MAT. POLIESTIC | POL. KUNSTSTOFF |
| F46.A.12 | VA326 | 4 | VITE FIL.RAP.5x25 TC S/PUNTA | SCREW | VIS | SCHRAUBE |
| F46.A.13 | DF004 | 1 | DISCO FERMA MOTORE D.420 2 FORI | DISC | DISQUE | SCHEIBE |
| F46.A.14 | GR072 | 2 | GUARNIZIONE A L 145x3.5 | GASKET | JOINT | DITHTUNG |
| F46.A.15 | MO999* | 2 | MOTORE ASPIRAZIONE | SUCTION MOTOR | MOTEUR ASPIRATION | ANSAUGMOTOR |
| F46.A.16 | TO004 | 2 | VALVOLA MOTORE | MOTOR VALVE | SOUPAPE | MOTORVENTIL |
| F46.A.17 | GR072 | 2 | GUARNIZIONE A L 145x3.5 | GASKET | JOINT | DITHTUNG |
| F46.A.18 | TO003 | 1 | TAPPO BRIGLIA PORTA MOTORE | BRIDLE PLUG | BOUCHON | STOPFFEN |
| F46.A.19 | VA322 | 6 | VITE FIL.RAP.5x13 TC S/PUNTA | SCREW | VIS | SCHRAUBE |
| F46.A.20 | DF005 | 1 | DISCO PORTA MOTORI D.420 | ADAPTER LOWER | DISQUE | SCHEIBE |
| F46.A.21 | CB004* | 1 | CALOTTA BASE D.420 | CAP BASE D.420 | CALOTTE | KAPPE |
| F46.A.22 | GO010 | 1 | GUARNIZIONE CALOTTA BASE D.420 | DOME GASKET | GARNITURE | KAPPEDICHTUNG |
| F46.A.23 | GO009 | 1 | GUARNIZIONE GALLEGGIANTE | GASKET-SHUT OF CAM | GARNITURE | SCHWIMMERDICHTUNG |
| F46.A.24 | GE003 | 1 | GALLEGGIANTE | CAN-SHUT OFF | FLOTTEUR | SCHWIMMER |
| F46.A.25 | DD203 | 1 | DADO M5 UNI 5588/65 | NUT | ECROU | MUTTER |
| F46.A.26 | VC218 | 1 | VITE CILIN.CROCE M5x45 | SCREW M5x45 | VIS | SCHRAUBE |
| F46.A.27 | CL005 | 1 | CESTELLO h=345 | CAGE-SHUT OFF h=345 | PANIER | KASTEN |
| F46.A.28 | AN004 | 1 | ANELLO FILTRO D.420 | FILTER RING D.420 | BAGUE FILTRE | FILTERRING |
| F46.A.29 | SF005 | 1 | SACCO FILTRO h=360 | FILTER BAG | SAC FILTRE | FILTERBEUTEL |
| F46.A.30 | KF006 | 1 | ASSEMBLAGGIO FILTRO D.420x360 | FILTER BAG ASSEMBLY | ASSEMBL. FILTRE | FILTERZUSAMMENBAU |
| F46.A.31 | DD204 | 2 | DADO M6 UNI 5588/65 | NUT | ECROU | MUTTER |
| F46.A.32 | DL001 | 1 | DEFLETTORE IN PVC D.40 | DEFLECTOR-INTAKE | DEFLECTEUR | LAPPE |
| F46.A.33 | GO004 | 1 | GUARNIZIONE BOCCHETTONE D.40 | GASKET-TANK INTAKE | GARNITURE | STUTZENDICHTUNG |
| F46.A.34 | SE001 | 1 | SALTERELLO | DISCONNECT PIN ASSEMB | SAUTEUR | FALLKLINKE |
| F46.A.35 | BC002 | 1 | BOCCHETTONE D.40 | ADAPTOR-TANK INTAKE | GOULOTTE | STUTZEN |
| F46.A.36 | VC223 | 2 | VITE CILIN.CROCE M6x20 | SCREW | VIS | SCHRAUBE |
| F46.A.37 | GG002 | 2 | MANIGLIA IN PLASTICA | PLASTIC HANDLE | POIGNEE | KUNSTSTOFFGRIFF |
| F46.A.38 | VA242 | 4 | VITE AUTOFIL.FIL.RAP.5,5x16 | SCREW | VIS | SCHRAUBE |
| F46.A.39 | VG021 | 4 | GRANO M6x10 UNI 5927/67 | DOWEL | GRAIN | DUEBEL |
| F46.A.40 | FO006 | 1 | MAT. POLIESTIC | POLIESTIC MAT. | MAT. POLIESTIC | POL. KUNSTSTOFF |
| F46.A.41 | VP022 | 1 | POMELLO M8x30 A 6 LOBI | KNOB | POMMEAU | KUGELGRIFF |
| F46.A.42 | MR008 | 1 | MANICO NERO | TRUCK HANDLE | POIGNEE | GRIFF |
| F46.A.43 | CF001 | 2 | CUFFIA BLOCCA RUOTE | WHEEL LOCK. CASING | PROTECTEUR | RADAERSPERREKASTEN |
| F46.A.44 | RT022 | 2 | RUOTA FISSA | WHEEL | ROUE | RAD |
| F46.A.45 | FO002 | 1 | RETINA IN ALLUMINIO | ALLUMINIUM NET | FILET | NETZ |
| F46.A.46 | CC004 | 2 | GANCIO ZINGATO | GALVANIZED HOOK | CROCHET ZINGUE | VERZINKTER HAKEN |
| F46.A.47 | RV001 | 4 | RIVETTO 4,8x7 TESTA OVALE | RIVET | RIVET | NIET |
| F46.A.48 | FO003 | 1 | MAT. POLIESTIC | POLIESTIC MAT. | MAT. POLIESTIC | POL.KUNSTSTOFF |
| F46.A.49 | PI009 | 1 | STAFFA A U CARRELLO IN ALLUMINIO | U BRACKET | SUPPORT | U-BUEGEL |
| F46.A.50 | RT023 | 2 | RUOTA PIVOTTANTE | CASTER WHEEL | ROUE | RAD |
| F46.A.51 | BR012 | 1 | CARRELLO ALLUMINIO D.420 | ALUMINIUM TROLLEY D. | CHARIOT | ALU-WAGEN |
| F46.A.52 | CN008 | 1 | FUSTO INOX D.420x600 | INOX TANK D.420x600 | CUVE INOX | SCHAFT |
| F46.A.53 | GO007 | 4 | GUARNIZIONE VITE | SCREW GASKET | GARNITURE | SCHRAUBENDICHTUNG |
| F46.A.54 | RO305 | 4 | RONDELLA SLARGATA 6x24 | WASHER | RONDELLE | SCHEIBE |
| F46.A.59 | PY252 | 1 | FERMACAVO IN PLASTICA GRANDE | U BOLT | BARRETTE | BUEGELBOLZEN |
| F46.A.62 | PY182 | 1 | MORSETTIERA MAMMUT A 3 POLI PA44 | TERMINAL BOARD | BORNIER | KLEMMENBRETT |

Ing. O. FIORENTINI s.r.l.

Sede e Stabilimenti: **50030 PIANCALDOLI** - Loc. ROMBOLA (Firenze) Tel.055/8173610 - Fax 055/817144
50030 PIETRAMALA - Via del Molino (Firenze) Tel. 055/813447

Filiale: **00155 ROMA** - Via Carlo Carrà, 13
Tel.06/22754040/60 - Fax 06/22754065

Filiale: **20132 MILANO** - Via Palmanova, 211/A
Tel.02/27207783 - 2564810 - Fax 02/2592779

E-mail: inform@ingfiorentini.it - sales@ingfiorentini.it - www.ingfiorentini.it