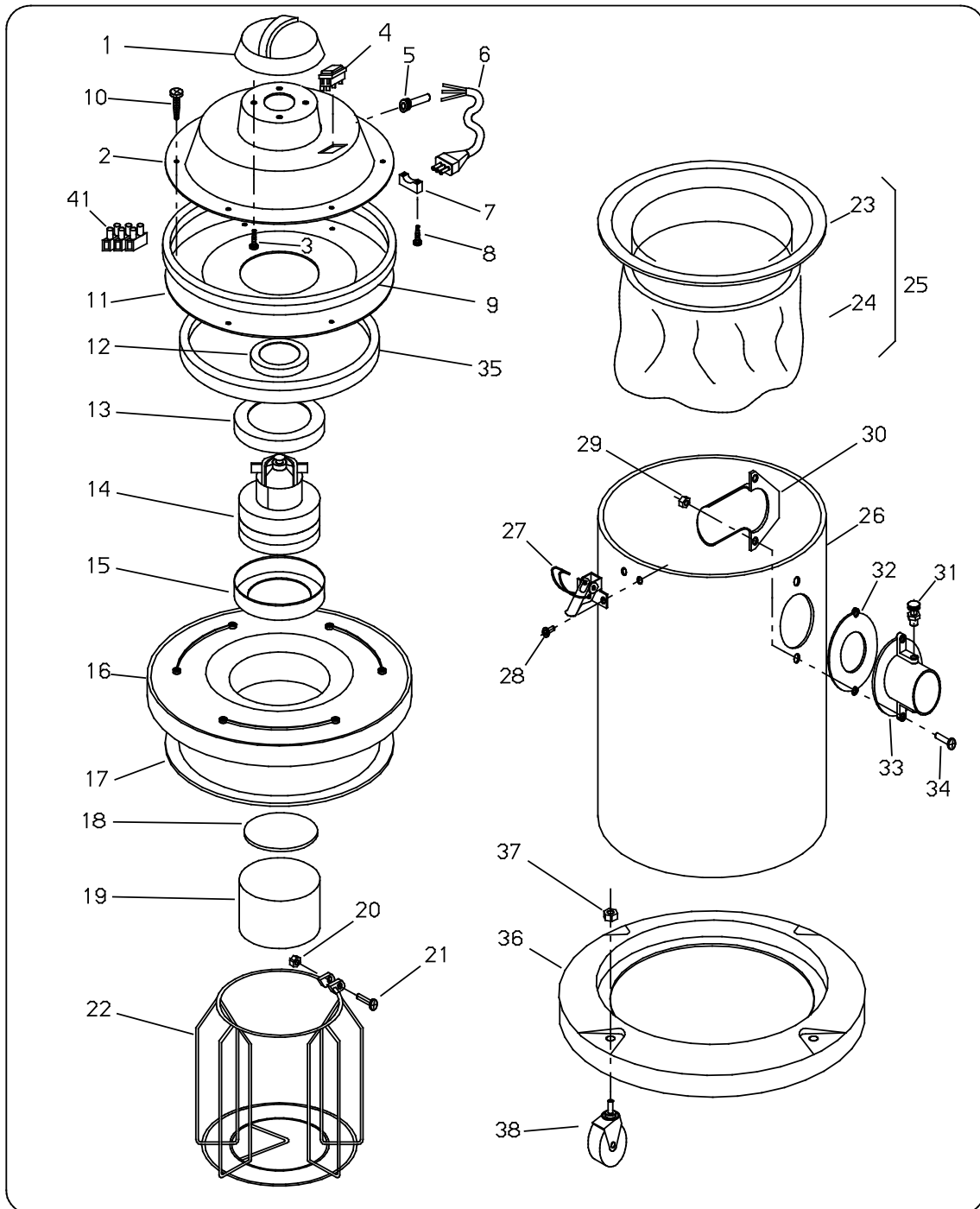


F30F1

ASPIRAPOLVERE/ASPIRALIQUIDI FIBEL 300 - WET&DRY VACUUM
CLEANER FIBEL 300 - ASPIRATEUR EAU/POUSSIERE FIBEL 300-
STAUB WASSER SAUGER FIBEL 300



N.Posit	Code	Qta	Descrizione	Description	Description	Bezeichnung
F30.A.01	CZ001*	1	COPERCHIO	COVER	COUVERCLE	DECKEL
F30.A.02	CU001*	1	CALOTTA COPRI MOTORE	MOTOR CAP	CALOTTE	MOTORKAPPE
F30.A.03	VA322	4	VITE FIL.RAP.5x13 TC S/PUNTA	SCREW	VIS	SCHRAUBE
F30.A.04	IN010	1	INTERRUTTORE	ON/OFF SWITCH	INTERRUPTEUR	SCHALTER
F30.A.05	PY309	1	PASSACAVO IN GOMMA NERA	BLACK RUBBER FAIRLEAD	PASSECCABLE NOIR	KABELDURCHGANG
F30.A.06	PY999*	1	CAVO ELETTRICO	ELECTRIC CABLE	CABLE ELECTRIQUE	ELEKTR. KABEL
F30.A.07	PY308	1	FERMACAVO IN PLASTICA PICCOLO	CABLE HOLDER	ARRETE-CABLE	KABELSPERRE
F30.A.08	VA261	2	VITE AUTOFIL.TC CROCE 3,5x19	SCREW	VIS	SCHRAUBE
F30.A.09	FO011	1	MAT. POLIESTIC	POLIESTIC MAT.	MAT. POLIESTIC	POL. KUNSTSTOFF
F30.A.10	VA323	6	VITE FIL.RAP.5x16 TC S/PUNTA	SCREW	VIS	SCHRAUBE
F30.A.11	DF002	1	BRIGLIA FERMA MOTORE	BRIDLE	CRAMPON	SPERRE
F30.A.12	GO014	1	CONVOGLIATORE	CONVEYOR	CONVOYEUR	FOERDERER
F30.A.13	GR009	1	GUARNIZIONE A L 145x10	GASKET	JOINT	DITHTUNG
F30.A.14	MO999*	1	MOTORE ASPIRAZIONE	SUCTION MOTOR	MOTEUR ASPIRATION	ANSAUGMOTOR
F30.A.15	GR005	1	GUARNIZIONE A L 145x10	BASKET	JOINT	DITHTUNG
F30.A.16	CB002*	1	CALOTTA BASE D.320	CAP BASE D.320	CALOTTE	KAPPE
F30.A.17	GO003	1	GUARNIZIONE CALOTTA BASE D.320	DOME GASKET	GARNITURE	KAPPEDICHTUNG
F30.A.18	GO005	1	GUARNIZIONE GALLEGGIANTE	GASKET-SHUT OF CAM	GARNITURE	SCHWIMMERDICHTUNG
F30.A.19	GE003	1	GALLEGGIANTE	CAN-SHUT OFF	FLOTTEUR	SCHWIMMER
F30.A.20	DD203	1	DADO M5 UNI 5588/65	NUT	ECROU	MUTTER
F30.A.21	VC220	1	VITE CILIN.CROCE M5x55	SCREW	VIS	SCHRAUBE
F30.A.22	CL003	1	CESTELLO h=225	CAGE-SHUT OFF h=225	PANIER	KASTEN
F30.A.23	AN002	1	ANELLO FILTRO D.320	FILTER RING D.320	BAGUE FILTRE	FILTERRING
F30.A.24	SF003	1	SACCO FILTRO h=270	FILTER BAG	SAC FILTRE	FILTERBEUTEL
F30.A.25	KF005	1	ASSEMBLAGGIO FILTRO D.320x270	FILTER ASSY	ASSEMBL. FILTRE	FILTERZUSAMMENBAU
F30.A.26	CN004	1	FUSTO INOX D.320x500	INOX SHAFT D.320x500	CUVE INOX	SCHAFT
F30.A.27	CC004	2	GANCIO ZINGATO	GALVANIZED HOOK	CROCHET ZINGUE	VERZINKTER HAKEN
F30.A.28	RV001	4	RIVETTO 4,8x7 TESTA OVALE	RIVET	RIVET	NIET
F30.A.29	DD204	2	DADO M6	NUT	ECROU	HUTMETTER
F30.A.30	DL001	1	DEFLETTORE	PVC BAFFLE	DEFLECTEUR	KLAPPE
F30.A.31	SE001	1	SALTERELLO	DISCONNECT PIN ASSEMB	SAUTEUR	FALLKLINKE
F30.A.32	GO004	1	GUARNIZIONE BOCCHETTONE D.40	UNION GASKET	GARNITURE	STUTZENDICHTUNG
F30.A.33	BC002	1	BOCCHETTONE D.40	UNION D.40	GOULOTTE	STUTZEN
F30.A.34	VC223	2	VITE CILINDRICA CROCE M6X20	SCREW	VIS	SCHRAUBE
F30.A.35	FO010	1	MAT. POLIESTIC	POLIESTIC MAT.	MAT. POLIESTIC	POL.KUNSTSTOFF
F30.A.36	BR006	1	BASE CARRELLO D.320	TRUNK BASE D.320	BASE CHARIOT	WAGENUNTERLEGUNG
F30.A.37	DD261	4	DADO CIECI M8	CAP NUT	ECROU BORGNE	HUTMETTER
F30.A.38	RT039	4	RUOTA PIVOTTANTE	WHEEL	ROUE	RAD
F30.A.41	PY182	1	MORSETTIERA MAMMUT A 3 POLI PA44	TERMINAL BOARD	BORNIER	KLEMMENBRETT

Ing. O. FIORENTINI s.r.l.

Sede e Stabilimenti: **50030 PIANCALDOLI** - Loc. ROMBOLA (Firenze) Tel.055/8173610 - Fax 055/817144
50030 PIETRAMALA - Via del Molino (Firenze) Tel. 055/813447

Filiale: **00155 ROMA** - Via Carlo Carrà, 13
Tel.06/22754040/60 - Fax 06/22754065

Filiale: **20132 MILANO** - Via Palmanova, 211/A
Tel.02/27207783 - 2564810 - Fax 02/2592779

E-mail: inform@ingfiorentini.it - sales@ingfiorentini.it - www.ingfiorentini.it