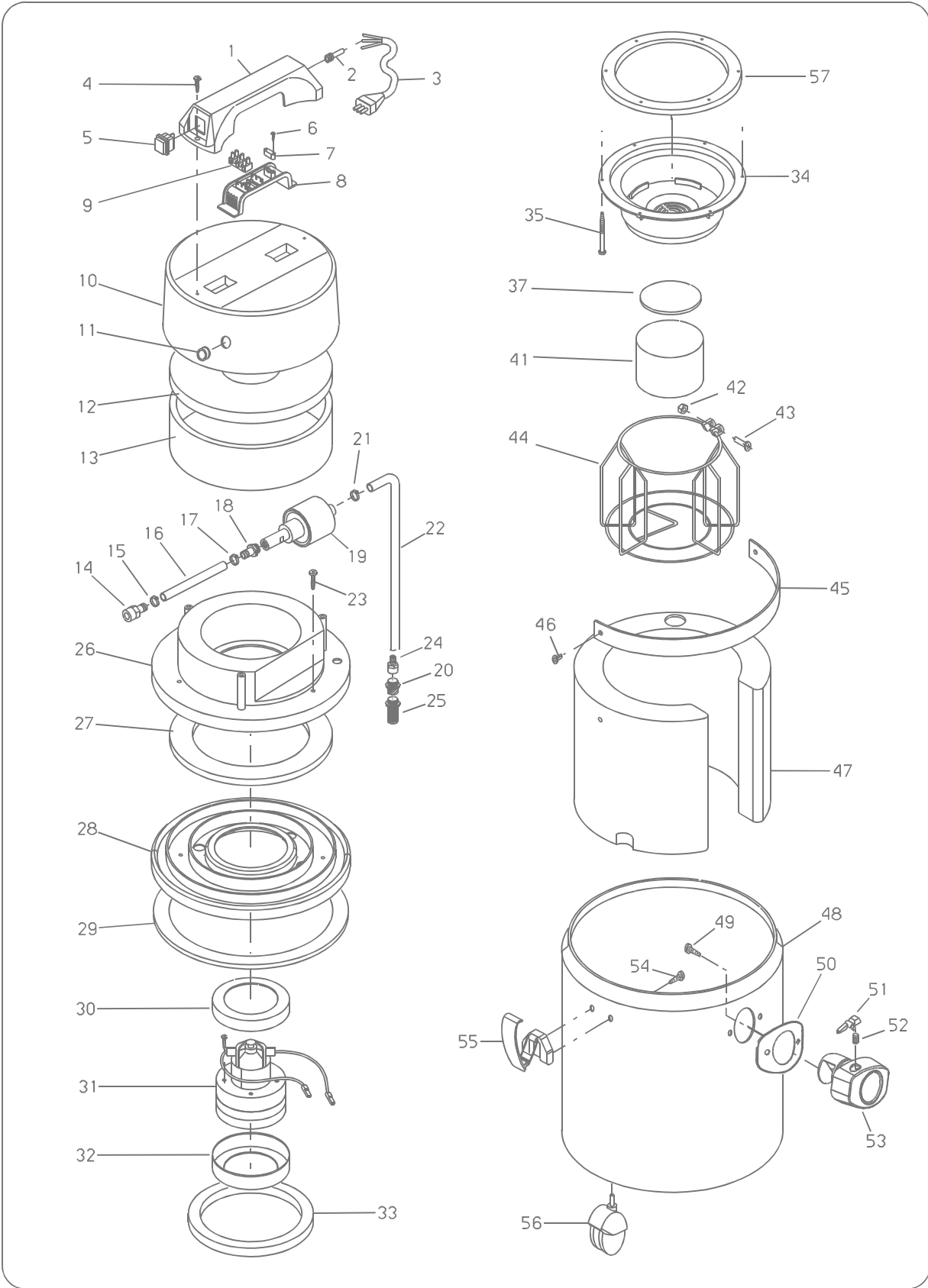


L205

LAVAMOQUETTE L205 MINI - CARPET CLEANING L205 MINI -
 LAVAMOQUETTE L205 MINI - TEPPICHEREINIGUNGS L205 MINI



| N.Posit | Code | Qta | Descrizione | Description | Description | Bezeichnung |
|----------|--------|-----|-----------------------------------|-----------------------|-------------------|-------------------|
| L20.A.01 | CZ023 | 1 | MANIGLIA 2000 SILENT | PLASTIC HANDLE | POIGNEE | KUNSTSTOFFGRIFF |
| L20.A.02 | PY133 | 1 | PASSACAVO | FAIRLEAD | PASSE-CABLE | KABELDURCHGANG |
| L20.A.03 | PY999* | 1 | CAVO ELETTRICO | ELECTRIC CABLE | CABLE ELECTRIQUE | ELEKTR. KABEL |
| L20.A.04 | VA281 | 2 | VITE AUTOFIETTANTE 4.2x19 | SCREW | VIS | VIS |
| L20.A.05 | IN056 | 1 | INTERRUTTORE UNIPOLARE ROSSO/NERO | SWITCH | INTERRUPTEUR | SCHALTER |
| L20.A.06 | VA261 | 3 | VITE AUTOFIL.TC CROCE 3,5x19 | SCREW | VIS | SCHRAUBE |
| L20.A.07 | PY252 | 1 | FERMACAVO IN PLASTICA GRANDE | U BOLT | BARRETTE | BUEGELBOLZEN |
| L20.A.08 | CZ024 | 1 | IMPUGNATURA INFERIORE 2000 SILENT | PLASTIC HANDLE | POIGNEE | KUNSTSTOFFGRIFF |
| L20.A.09 | PY346 | 1 | MORSETTIERA MAMMUT 3 POLI PA27 | TERMINAL BOARD MAMMUT | BORNIER | KLEMMEBRETT |
| L20.A.10 | CU018* | 1 | CALOTTA COPRI MOTORE 2000 P.L. | MOTOR CAP | CALOTTE | MOTORKAPPE |
| L20.A.11 | PI087 | 1 | GOMMINO PASSAFILO 12x20x25 | FAIRLEAD | PASSE-CABLE | KABELDURCHGANG |
| L20.A.12 | FO015 | 1 | POLIUR. BUGNATO ADESIVO 20mm D.28 | POLIESTIC MAT. | MAT. POLIESTIC | POL. KUNSTSTOFF |
| L20.A.13 | FO014 | 1 | POLIUR. BUGNATO ADESIVO 20mm L=91 | POLIESTIC MAT. | MAT. POLIESTIC | POL. KUNSTSTOFF |
| L20.A.14 | RA002 | 1 | INNESTO RAPIDO FEMMINA | QUICK COUPLING | CONNEXION | ANSCHLUSS |
| L20.A.15 | FS012 | 1 | FASCETTA 10/16 | CLAMP 10/16 | BANDE | SHELLE |
| L20.A.16 | FF014 | 1 | TUBO RETINATO 6x12 L=150 mm | HOSE | TUBE FLEXIBLE | SCHLAUCH |
| L20.A.17 | FS012 | 1 | FASCETTA 10/16 | CLAMP 10/16 | BANDE | SHELLE |
| L20.A.18 | RA005 | 1 | RACCORDO F/PG 1/8+PORTA GOMMA | UNION | RACCORD | ANSCHLUSS |
| L20.A.19 | PO025 | 1 | POMPA ET508 P.G. -1/8"F. EPDM 220 | PUMP | POMPE | PUMPE |
| L20.A.20 | RA001 | 1 | PORTAGOMMA 6x1/4 | UNION | RACCORD | ANSCHLUSS |
| L20.A.21 | FS012 | 1 | FASCETTA 10/16 | CLAMP 10/16 | BANDE | SHELLE |
| L20.A.22 | FF015 | 1 | TUBO RETINATO 6x12 L=750 mm | HOSE | TUBE FLEXIBLE | SCHLAUCH |
| L20.A.23 | VA229 | 3 | VITE AUTOFIETT. 4,8x38 UNI 6954/ | SCREW | VIS | SCHRAUBE |
| L20.A.24 | RA001 | 1 | PORTAGOMMA 6x1/4F | UNION | RACCORD | ANSCHLUSS |
| L20.A.25 | RA013 | 1 | VALVOLA DI FONDO 3/8" | FILTER | FILTRE | FILTER |
| L20.A.26 | CU015* | 1 | DISCO FERMAMOTORE INIEZIONE LIQUI | DISC | DISQUE | SCHEIBE |
| L20.A.27 | FO032 | 1 | POLIESTIC ADESIVO | POLIESTIC MAT. | MAT. POLIESTIC | POL. KUNSTSTOFF |
| L20.A.28 | CB018* | 1 | CALOTTA BASE 2000 P.L. | MOTOR CAP | CALOTTE | MOTORKAPPE |
| L20.A.29 | GO003 | 1 | GUARNIZIONE CALOTTA BASE D.320 | DOME GASKET | GARNITURE | KAPPEDICHTUNG |
| L20.A.30 | GR005 | 1 | GUARNIZIONE A L MOTORE 145x5 | MOTOR GASKET | GARNITURE | L-DICHTUNG |
| L20.A.31 | MO999* | 1 | MOTORE ASPIRAZIONE | SUCTION MOTOR | MOTEUR ASPIRATION | ANSAUGMOTOR |
| L20.A.32 | GR005 | 1 | GUARNIZIONE A L MOTORE 145x5 | MOTOR GASKET | GARNITURE | L-DICHTUNG |
| L20.A.33 | FO031 | 1 | POLIESTIC ADESIVO | POLIESTIC MAT. | MAT. POLIESTIC | POL.KUNSTSTOFF |
| L20.A.34 | CB017* | 1 | CALOTTA SUPPORTO MOTORE | CAP BASE | CALOTTE | KAPPE |
| L20.A.35 | VA330 | 3 | VITE AUTOFIETTANTE 5x120 UNI 695 | SCREW | VIS | SCHRAUBE |
| L20.A.37 | GO005 | 1 | GUARNIZIONE GALLEGGIANTE | GASKET-SHUT OFF CAN | GARNITURE | SCHWIMMERDICHTUNG |
| L20.A.41 | GE001 | 1 | GALLEGGIANTE | FLOAT | FLOTTEUR | SCHWIMMERKOERPER |
| L20.A.42 | DD203 | 1 | DADO M5 UNI 5588/65 | NUT | ECROU | MUTTER |
| L20.A.43 | VC220 | 1 | VITE CILIN.CROCE M5x55 UNI 7687 | SCREW | VIS | SCHRAUBE |
| L20.A.44 | CL002 | 1 | CESTELLO | CAGE-SHUT OFF h=155 | PANIER | KASTEN |
| L20.A.45 | PI085 | 1 | IMPUGNATURA VASCHETTA | HANDGRIP | POIGNE | HALTEGRIFF |
| L20.A.46 | PI086 | 1 | TAPPO CON PERNO D.8 mm | PIN | CHEVILLE OUVRIERE | BLINDNIET |
| L20.A.47 | CN069 | 1 | VASCHETTA PER LAVAMOQUETTE H=230 | SOLUTION TANK | CUVE | BECKEN |
| L20.A.48 | CN106 | 1 | FUSTO 320x300 | DRUM | FUT | FASS |
| L20.A.49 | VA230 | 2 | VITE AUTOFIETT.4.8x22 UNI 6954/7 | SCREW | VIS | SCHRAUBE |
| L20.A.50 | GO044 | 1 | GUARNIZIONE BOCCHETTONE | GASKET-TANK INTAKE | GARNITURE | STUTZENDICHTUNG |
| L20.A.51 | SE004 | 1 | LEVETTA BLOCCO TUBO FLEX | LEVER | LEVIER | HEBEL |
| L20.A.52 | ML137 | 1 | MOLLA PER BOCCHETTONE | SPRING FOR UNION | RESSORT | FEDER |
| L20.A.53 | BC007 | 1 | BOCCHETTONE D.40 | ADOPTER TANK INTAKE D | GOULOTTE | STUTZEN |
| L20.A.54 | VA230 | 4 | VITE AUTOFIETT.4.8x22 UNI 6954/7 | SCREW | VIS | SCHRAUBE |
| L20.A.55 | CC008 | 2 | GANCIO COMPLETO PPL | GALVANIZED | CROCHET | VERZINKTER HAKEN |
| L20.A.56 | RT070 | 5 | RUOTA PIVOT.D.50 GRIGIA M8X12 | WHEEL | ROUE | RAD |
| L20.A.57 | GO037 | 1 | GUARNIZIONE ADESIVA 2mm | POLIESTIC MAT. | MAT. POLIESTIC | POL.KUNSTSTOFF |

Ing. O. FIORENTINI s.r.l.

Sede e Stabilimenti: **50030 PIANCALDOLI** - Loc. ROMBOLA (Firenze) Tel.055/8173610 - Fax 055/817144

50030 PIETRAMALA - Via del Molino (Firenze) Tel. 055/813447

Filiale: **00155 ROMA** - Via Carlo Carrà, 13
Tel.06/22754040/60 - Fax 06/22754065

Filiale:**20132 MILANO** - Via Palmanova, 211/A
Tel.02/27207783 - 2564810 - Fax 02/2592779

E-mail: inform@ingfiorentini.it - sales@ingfiorentini.it - www.ingfiorentini.it