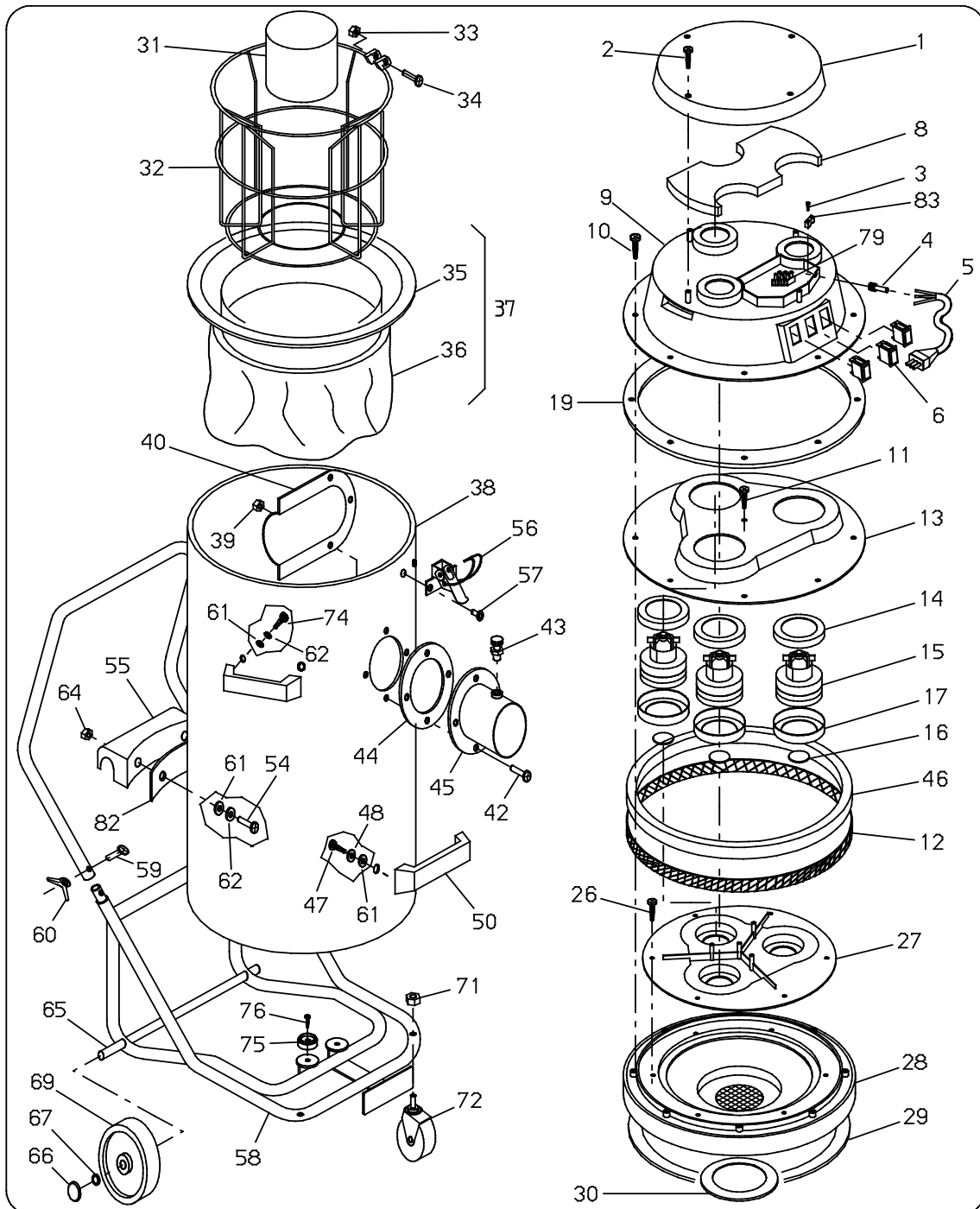


F99F1

ASPIRAPOLVERE/ASPIRALIQUIDI FIBEL 1000B3 - WET&DRY
 VACUUM CLEANER FIBEL 1000B3 - ASPIRATEUR EAU/POUSSIERE
 FIBEL 1000B3 - STAUB WASSER SAUGER FIBEL 1000B3



N.Posit	Code	Qta	Descrizione	Description	Description	Bezeichnung
F99.A.01	CZ004*	1	COPERCHIO	COVER	COUVERCLE	DECKEL
F99.A.02	VA323	4	VITE FIL.RAP.5x16 TC S/PUNTA	SCREW	VIS	SCHRAUBE
F99.A.03	VA265	2	VITE AUTOFIL.TC CROCE 3,5x22	SCREW	VIS	SCHRAUBE
F99.A.04	PY309	1	PASSACAVO IN GOMMA NERA	BLACK RUBBER FAIRLEAD	PASSECCABLE NOIR	KABELDURCHGANG
F99.A.05	PY999*	1	CAVO ELETRICO	ELECTRIC CABLE	CABLE ELECTRIQUE	ELEKTR. KABEL
F99.A.06	IN010	3	INTERRUPTORE	ON/OFF SWITCH	INTERRUPTEUR	SCHALTER
F99.A.08	FO006	1	MAT. POLIESTIC	POLIESTIC MAT.	MAT. POLIESTIC	POL. KUNSTSTOFF
F99.A.09	CU003*	1	CALOTTA COPRI MOTORE D.420	COVER MOTOR	CALOTTE	MOTORKAPPE
F99.A.10	VA326	8	VITE FIL.RAP.5x25 TC S/PUNTA	SCREW	VIS	SCHRAUBE
F99.A.11	VA326	4	VITE FIL.RAP.5x25 TC S/PUNTA	SCREW	VIS	SCHRAUBE
F99.A.12	FO002	1	RETINA IN ALLUMINIO	ALUMINIUM NET	FILET	NETZ
F99.A.13	DF010	1	DISCO FERMA MOTORE D.420 3 FORI	ADAPTER	DISQUE	SCHLEIBE
F99.A.14	GR072	3	GUARNIZIONE A L 145x3.5	GASKET	JOINT	DITHTUNG
F99.A.15	MO999*	3	MOTORE ASPIRAZIONE	SUCTION MOTOR	MOTEUR ASPIRATION	ANSAUGMOTOR
F99.A.16	TO004	3	VALVOLA MOTORE	MOTOR VALVE	SOUPAPE	MOTORVENTIL
F99.A.17	GR072	3	GUARNIZIONE A L 145x3.5	GASKET	JOINT	DITHTUNG
F99.A.19	FO001	1	MAT. POLIESTIC	POLIESTIC MAT.	MAT. POLIESTIC	POL. KUNSTSTOFF
F99.A.26	VA322	6	VITE FIL.RAP.5x13 TC S/PUNTA	SCREW	VIS	SCHRAUBE
F99.A.27	DF005	1	DISCO PORTA MOTORI D.420	ADAPTER LOWER	DISQUE	SCHLEIBE
F99.A.28	CB004*	1	CALOTTA BASE D.420	CAP BASE D.420	CALOTTE	KAPPE
F99.A.29	GO010	1	GUARNIZIONE CALOTTA BASE D.420	DOME GASKET	GARNITURE	KAPPEDICHTUNG
F99.A.30	GO009	1	GUARNIZIONE GALLEGGIANTE	GASKET-SHUT OF CAM	GARNITURE	SCHWIMMERDICHTUNG
F99.A.31	GE003	1	GALLEGGIANTE	CAN-SHUT OFF	FLOTTEUR	SCHWIMMER
F99.A.32	CL005	1	CESTELLO h=345	CAGE-SHUT OFF h=345	PANIER	KASTEN
F99.A.33	DD203	1	DADO M5 UNI 5588/65	NUT	ECROU	MUTTER
F99.A.34	VC218	1	VITE CILIN.CROCE M5x45	SCREW M5x45	VIS	SCHRAUBE
F99.A.35	AN004	1	ANELLO FILTRO D.420	FILTER RING D.420	BAGUE FILTRE	FILTERRING
F99.A.36	SF005	1	SACCO FILTRO h=360	FILTER BAG	SAC FILTRE	FILTERBEUTEL
F99.A.37	KF006	1	ASSEMBLAGGIO FILTRO D.420x360	FILTER BAG ASSEMBLY	ASSEMBL. FILTRE	FILTERZUSAMMENBAU
F99.A.38	CN011	1	FUSTO INOX D.420x650 CERN.ALL.	INOX SHAFT ALUM.HINGE	CUVE INOX	SCHAFT
F99.A.39	DD204	4	DADO M6 UNI 5588/65	NUT	ECROU	MUTTER
F99.A.40	DL002	1	DEFLETTORE IN PVC D.90	PVC BAFFLE	DEFLECTEUR	KLAPPE
F99.A.41	RO203	4	RONDELLA NORMALE DIAM. 6	WASHER D6	RONDELLE	SCHLEIBE
F99.A.42	VC227	3	VITE CILIN.CROCE M6x25	SCREW	VIS	SCHRAUBE
F99.A.42A	VC224	1	VITE CILIN.CROCE M6x30	SCREW	VIS	SCHRAUBE
F99.A.43	SE001	1	SALTERELLO	DISCONNECT PIN ASSEMB	SAUTEUR	FALLKLINKE
F99.A.44	GO002	1	GUARNIZIONE GALLEGGIANTE	GASKET FLOAT	GARNITURE	SCHWIMMERDICHTUNG
F99.A.45	BC003	1	BOCCHETTONE D.90	UNION D.90	GOULOTTE	STUTZEN
F99.A.46	FO003	1	MAT. POLIESTIC	POLIESTIC MAT.	MAT. POLIESTIC	POL. KUNSTSTOFF
F99.A.47	VA434	2	VITE AUTOFILETT. 5.5x19 INOX	SCREW	VIS	SCHRAUBE
F99.A.48	RO503	2	RONDELLA SLARGATA DIAM. 6x24 INOX	WASHER	RONDELLE	SCHLEIBE
F99.A.50	GG002	3	MANIGLIA IN PLASTICA	PLASTIC HANDLE	POIGNEE	KUNSTSTOFFGRIF
F99.A.54	VC223	2	VITE CILIN.CROCE M6x20 UNI 7687	SCREW	VIS	SCHRAUBE
F99.A.55	CR003	1	CERNIERA IN ALLUMINIO	ALUMINIUM HINGE	CHARNIERE	ALU-SCHARNIER
F99.A.56	CC004	2	GANCIO ZINGATO	GALVANIZED HOOK	CROCHET ZINGUE	VERZINKTER HAKEN
F99.A.57	RV001	4	RIVETTO 4,8x7 TESTA OVALE	RIVET	RIVET	NIET
F99.A.58	BR024	1	CARR.BASC.LUSSO 450B C/ATT C/MAN.	LUX.BASC.TRUCK	CHARIOT	WAGEN
F99.A.59	VC224	2	VITE CILIN.CROCE M6x30 UNI 7687	SCREW	VIS	SCHRAUBE
F99.A.60	VL293	2	DADO AD ALETTE M6 UNI 5448/71	NUT	ECROU	MUTTER
F99.A.61	GO007	8	GUARNIZIONE VITE 5x25 SP.2	SCREW GASKET	GARNITURE	SCHRAUBENDICHTUNG
F99.A.62	RO305	6	RONDELLA SLARGATA DIAM. 6x24	WASHER	RONDELLE	SCHLEIBE
F99.A.64	DD204	2	DADO M6 UNI 5588/65	NUT	ECROU	MUTTER
F99.A.65	AS004	1	ASSALE CARRELLO LUSSO D.12x550	LUX.TR.AXLE D.12x554	ESSIEU	ACHSE
F99.A.66	CF003	2	CUFFIA BLOCCA RUOTE	WHEEL LOCK. CASING	PROTECTEUR	RADAERSPERREKASTEN
F99.A.67	SG005	2	ANELLO SEEGER PER EST.DIAM.12	SEEGER RING	SEEGER	SEEGERRING
F99.A.69	RT025	2	RUOTA FISSA	WHEEL	ROUE	RAD
F99.A.71	DD263	2	DADO CIECO M10 UNI 5721/69	CAP NUT	ECROU BORGNE	HUTMUTTER
F99.A.72	RT026	2	RUOTA PIVOTTANTE	CASTER PIVOT	ROUE	RAD
F99.A.74	VA242	4	VITE AUTOFIL.FIL.RAP.5,5x16	SCREW	VIS	SCHRAUBE
F99.A.75	GO022	2	GOMMINO APOGGIA FUSTO	SHAFT SUPPORT RUBBER	CAOUTCHOUC	GUMMISTUECK
F99.A.76	VC223	2	VITE M6x20	SCREW	VIS	SCHRAUBE
F99.A.79	PY182	1	MORSETTIERA MAMMUT A 3 POLI PA44	TERMINAL BOARD	BORNIER	KLEMMENBRETT
F99.A.82	GO023	1	GUARNIZIONE CERNIERA BASCUL.	GASKET HINGE	GARNITURE	STUTZENDICHTUNG
F99.A.83	PY252	1	FERMACAVO IN PLASTICA GRANDE	U BOLT	BARRETTE	BUEGELBOLZEN

Ing. O. FIORENTINI s.r.l.

Sede e Stabilimenti: **50030 PIANCALDOLI** - Loc. ROMBOLA (Firenze) Tel.055/8173610 - Fax 055/817144
50030 PIETRAMALA - Via del Molino (Firenze) Tel. 055/813447

Filiale: **00155 ROMA** - Via Carlo Carrà, 13
Tel.06/22754040/60 - Fax 06/22754065

Filiale: **20132 MILANO** - Via Palmanova, 211/A
Tel.02/27207783 - 2564810 - Fax 02/2592779

E-mail: inform@ingfiorentini.it - sales@ingfiorentini.it - www.ingfiorentini.it